

CLIMATIC FORTE



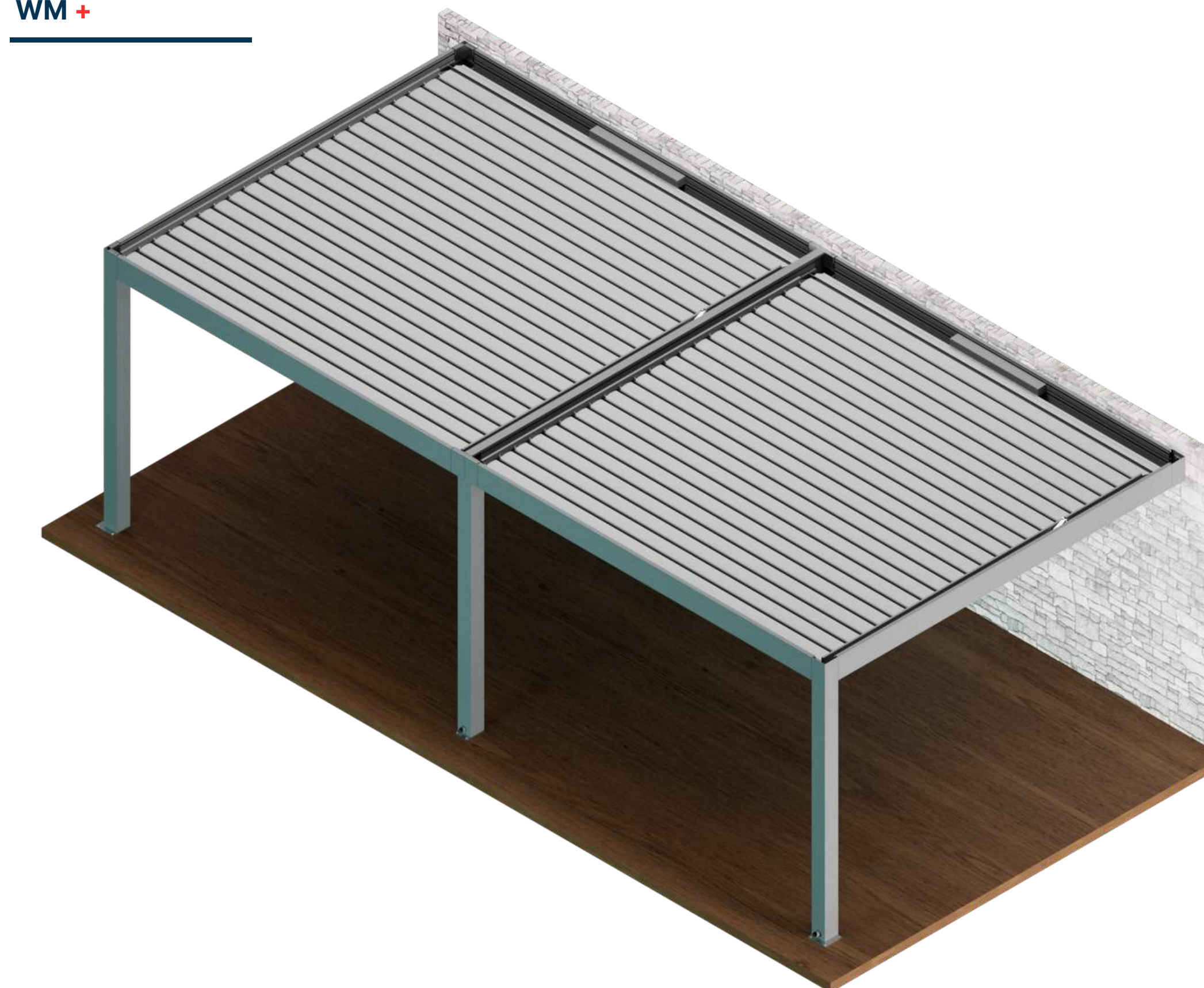
CLIMATIC FORTE WM



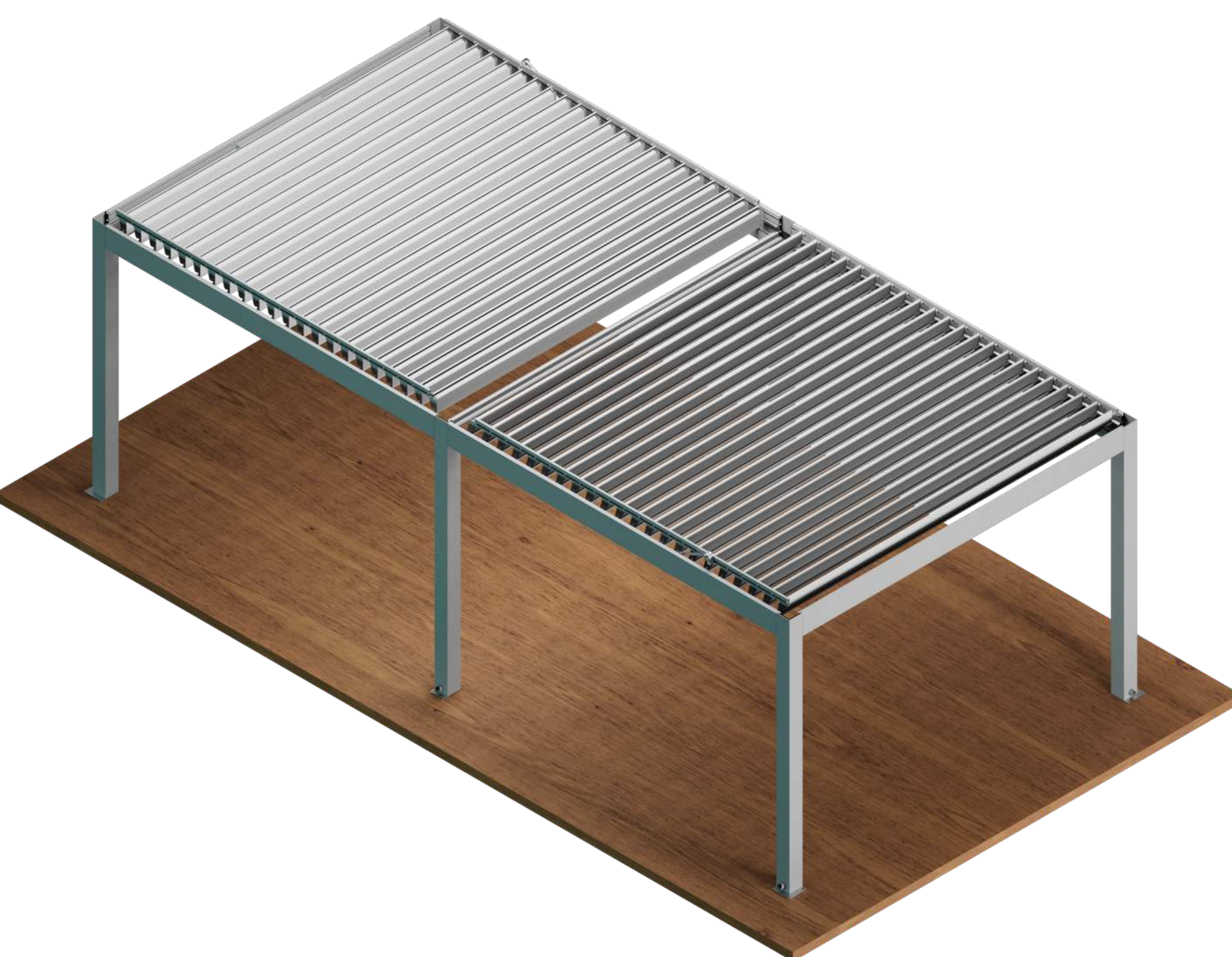
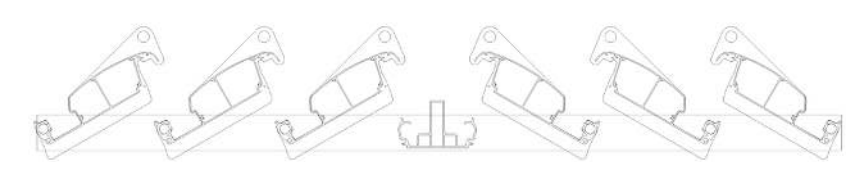
CLIMATIC FORTE +



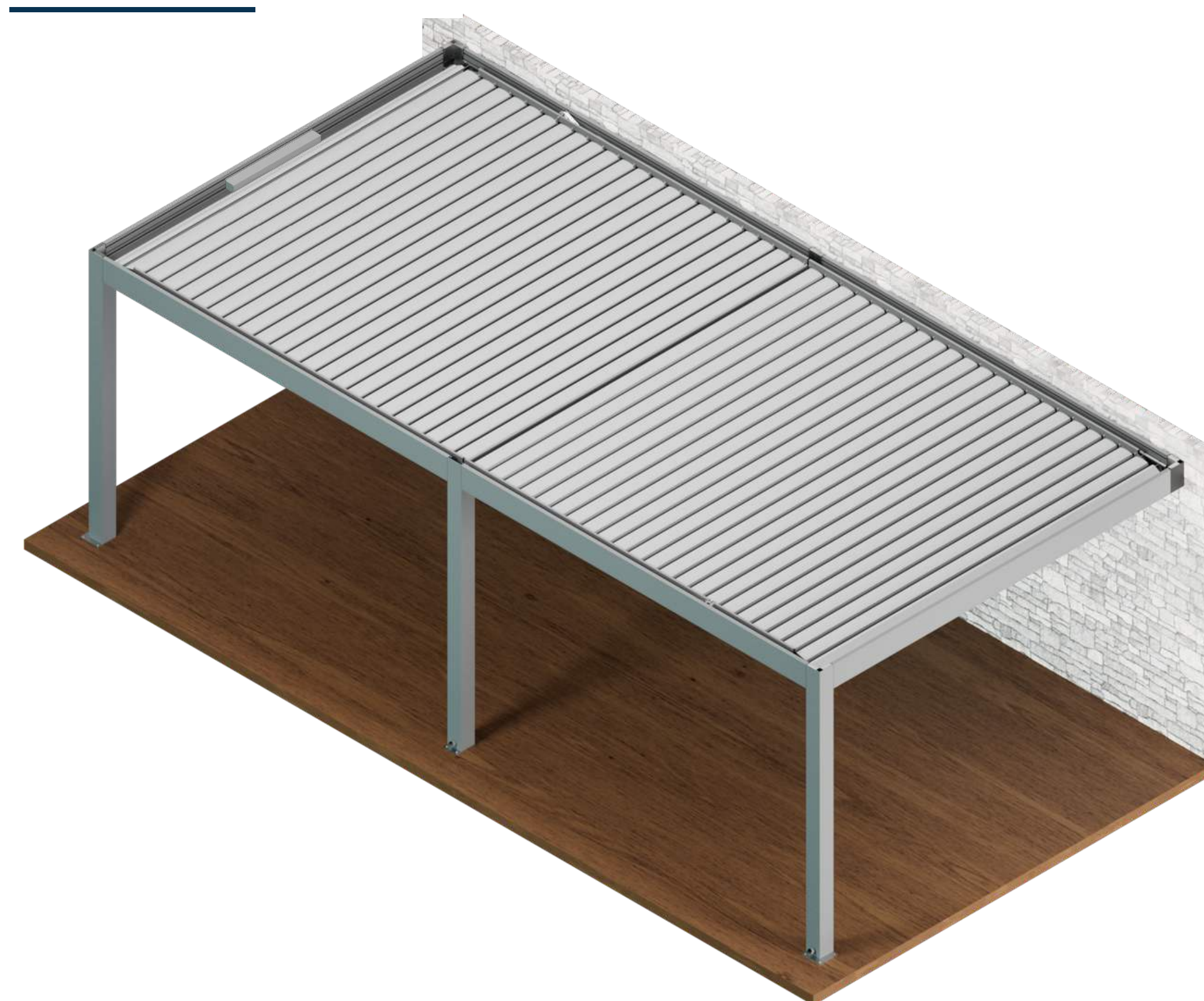
CLIMATIC FORTE WM +



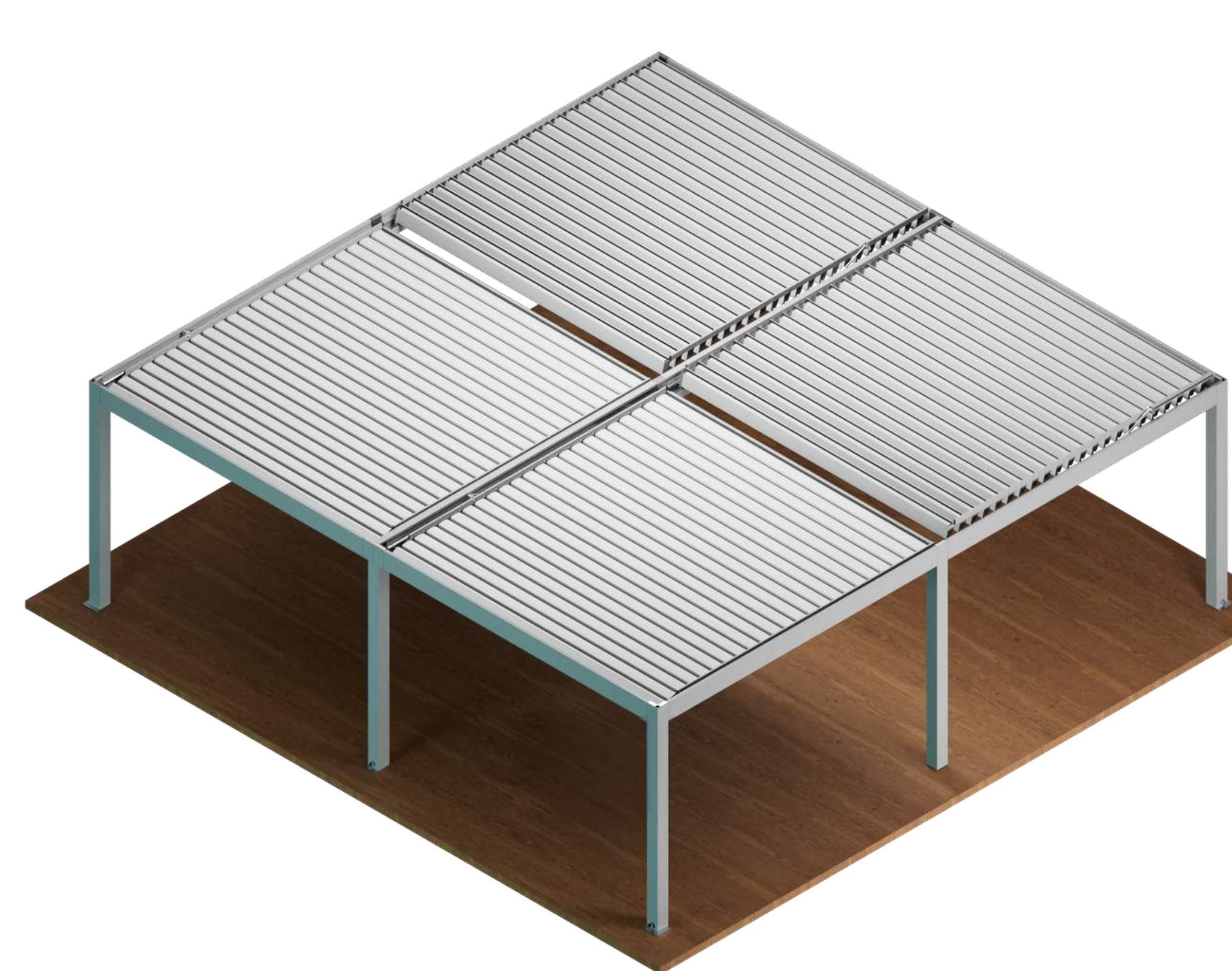
CLIMATIC FORTE DUO



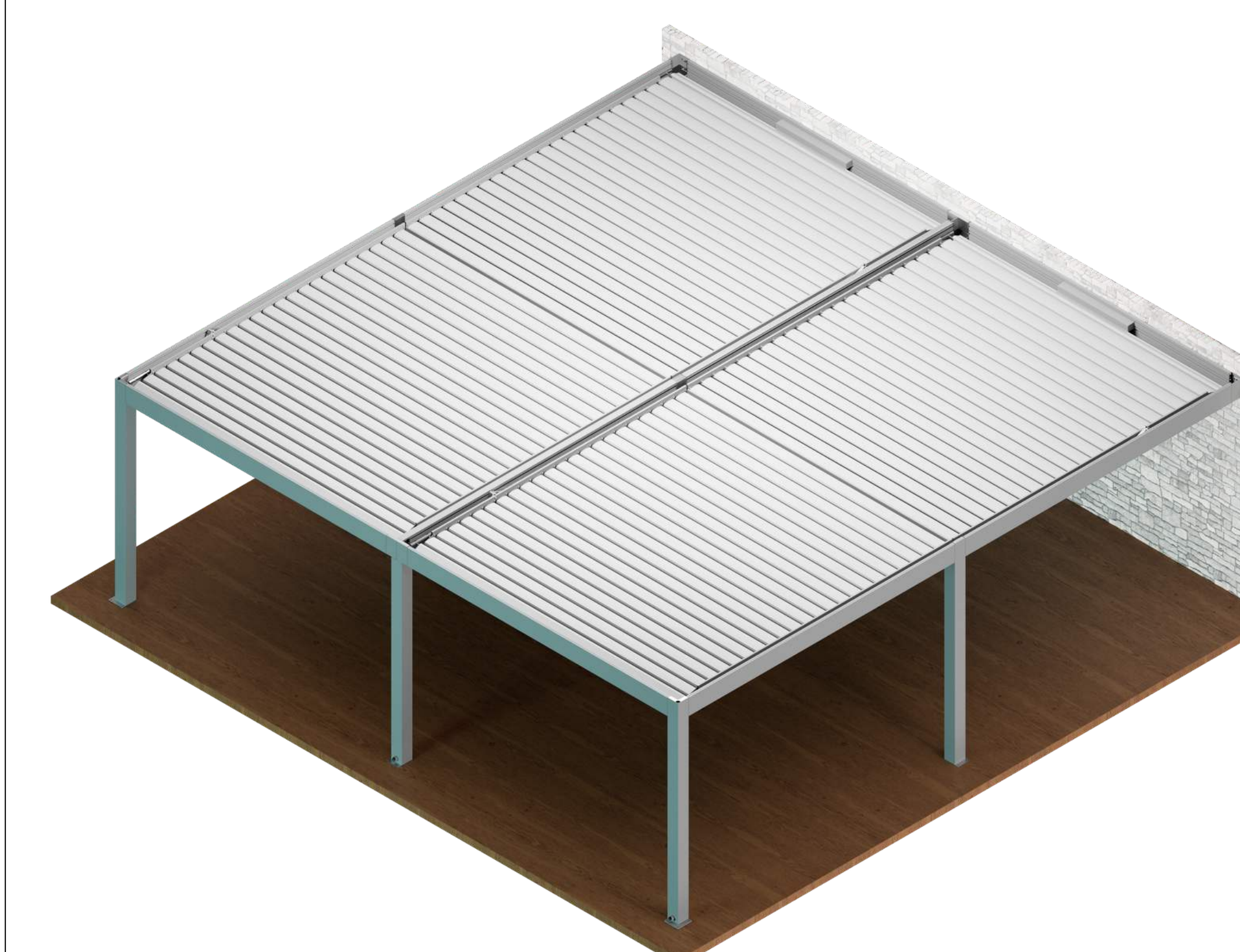
CLIMATIC FORTE DUO WM



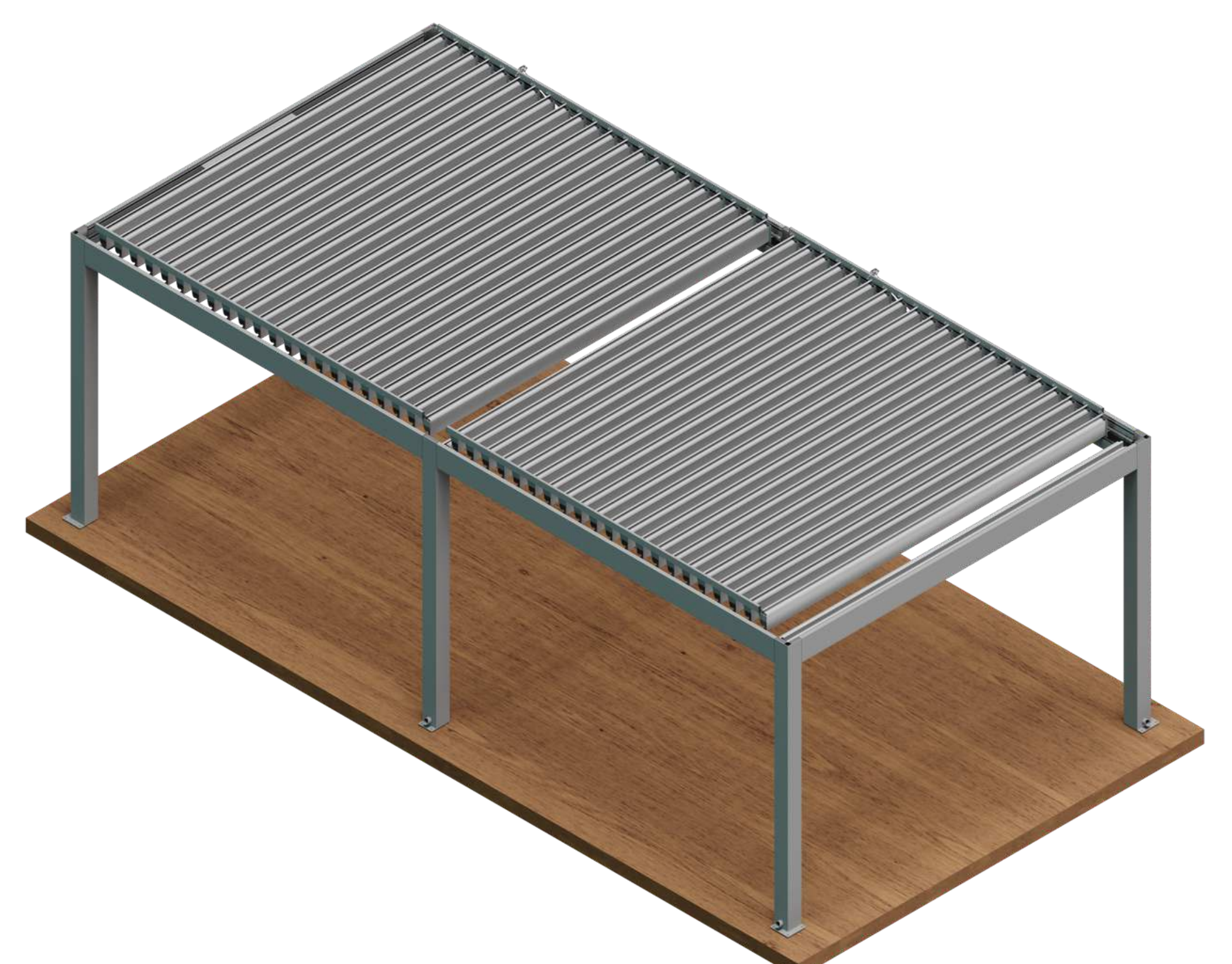
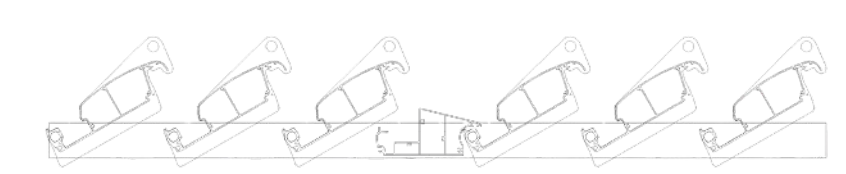
CLIMATIC FORTE DUO +



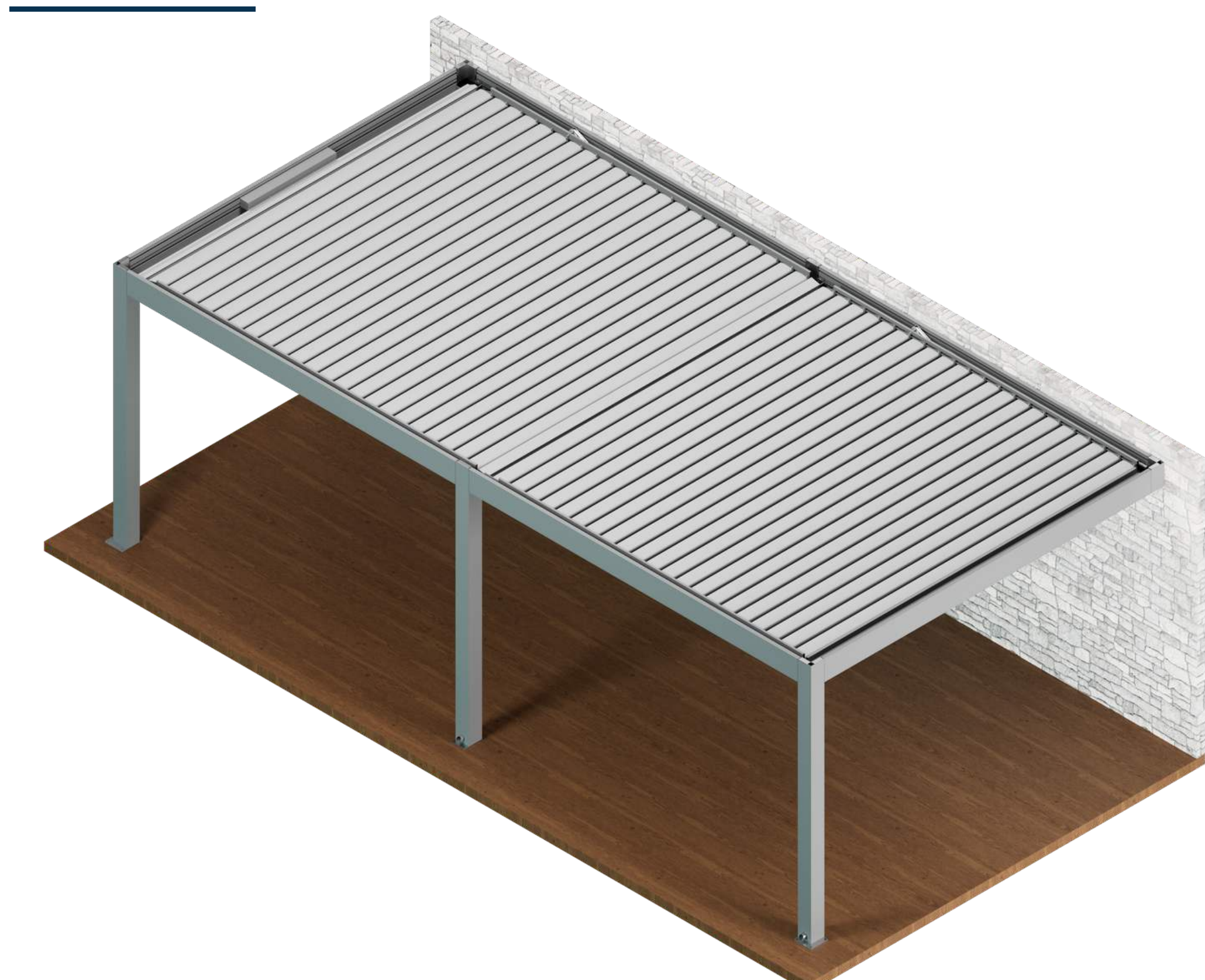
CLIMATIC FORTE DUO WM +



CLIMATIC FORTE LINEAR



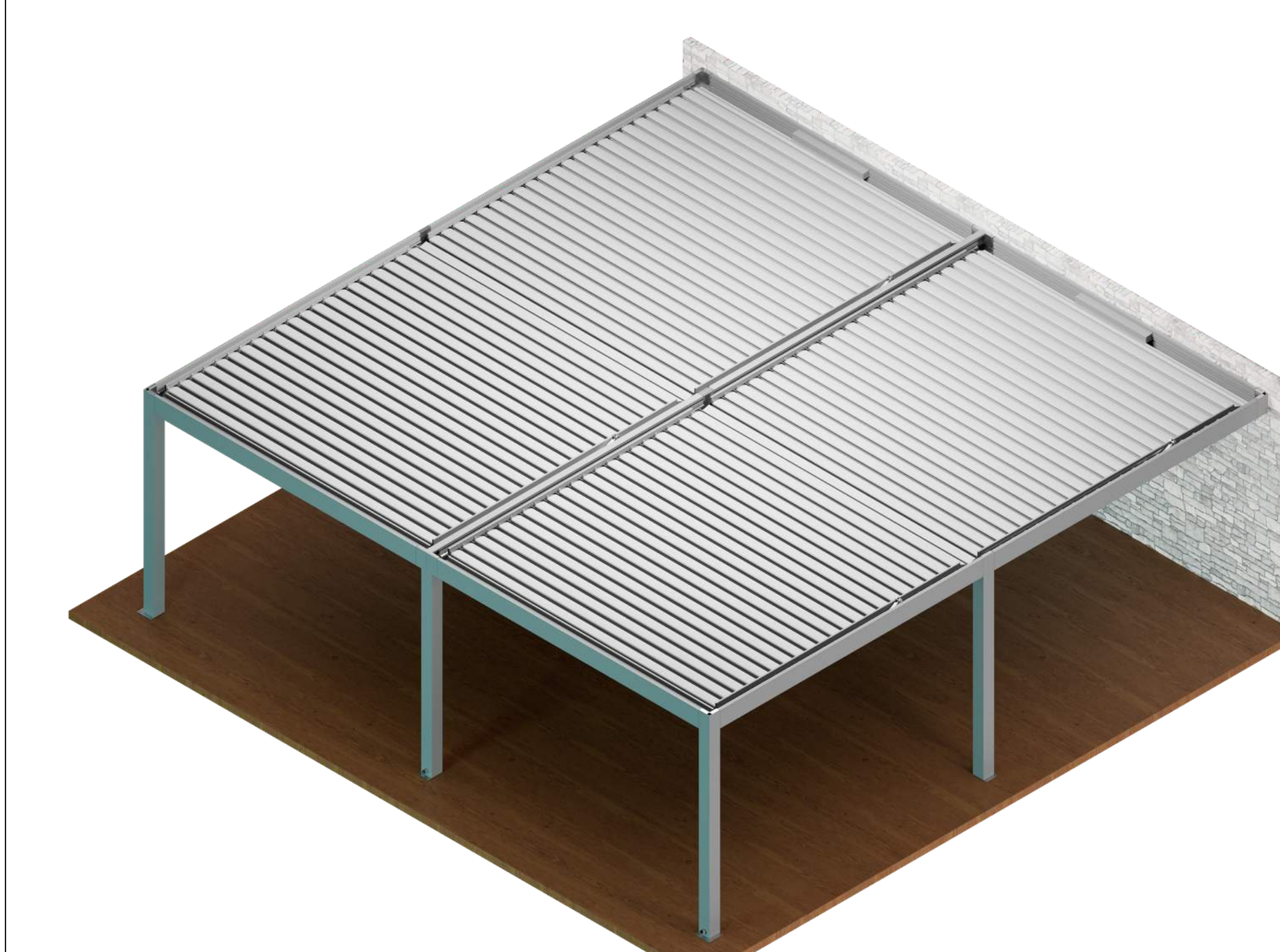
CLIMATIC FORTE LINEAR WM

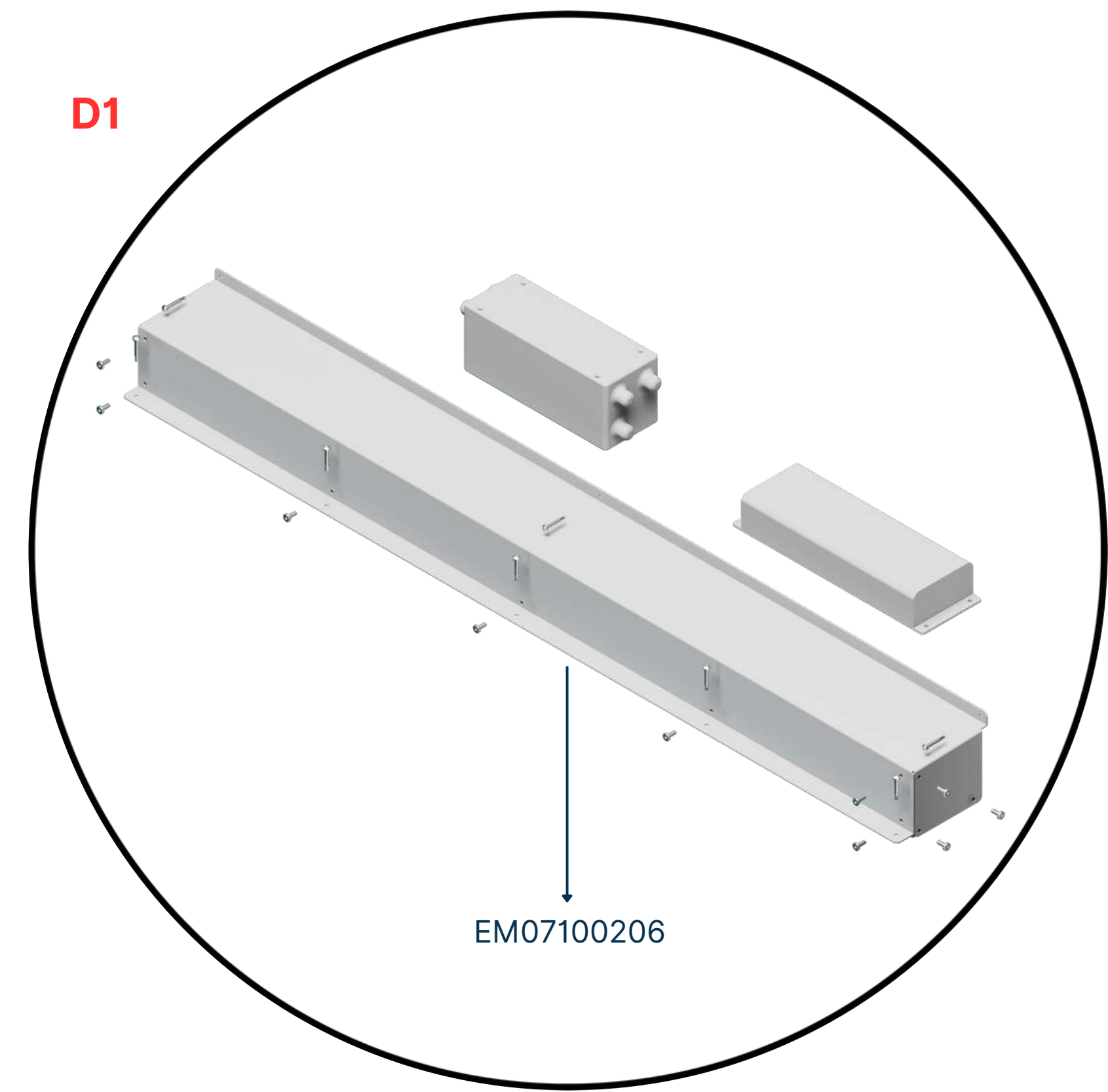


CLIMATIC FORTE LINEAR +

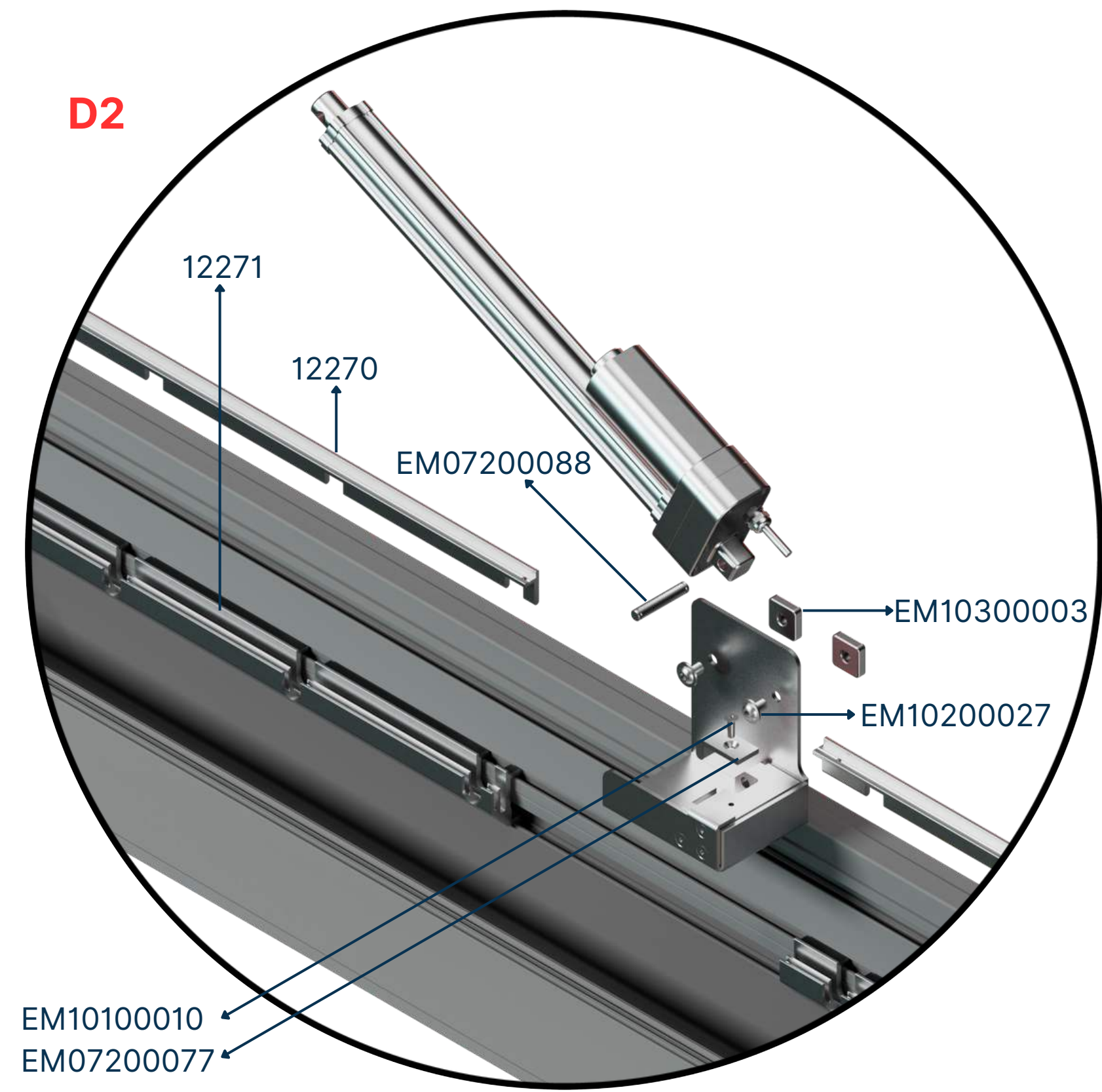


CLIMATIC FORTE LINEAR WM +

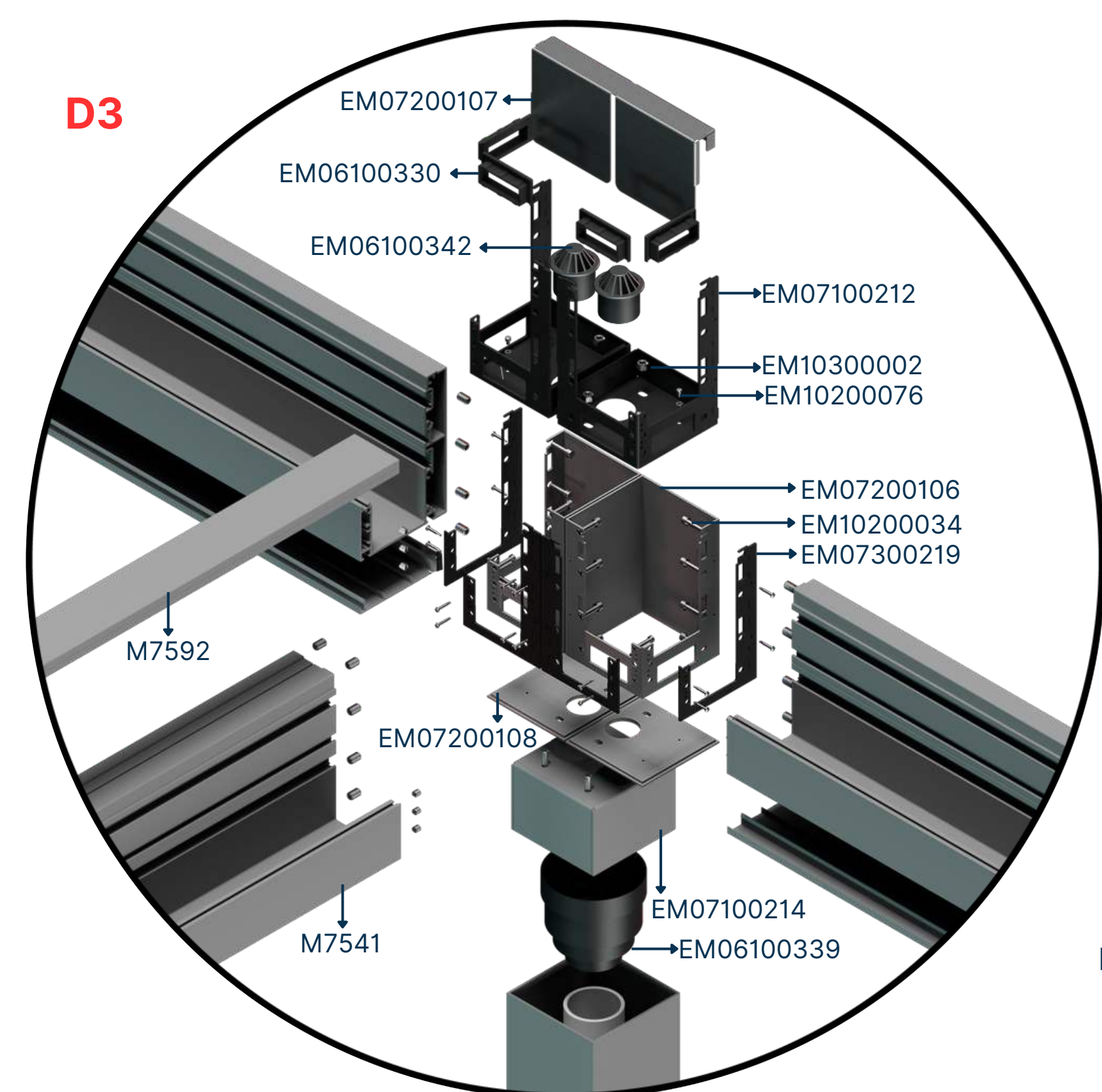




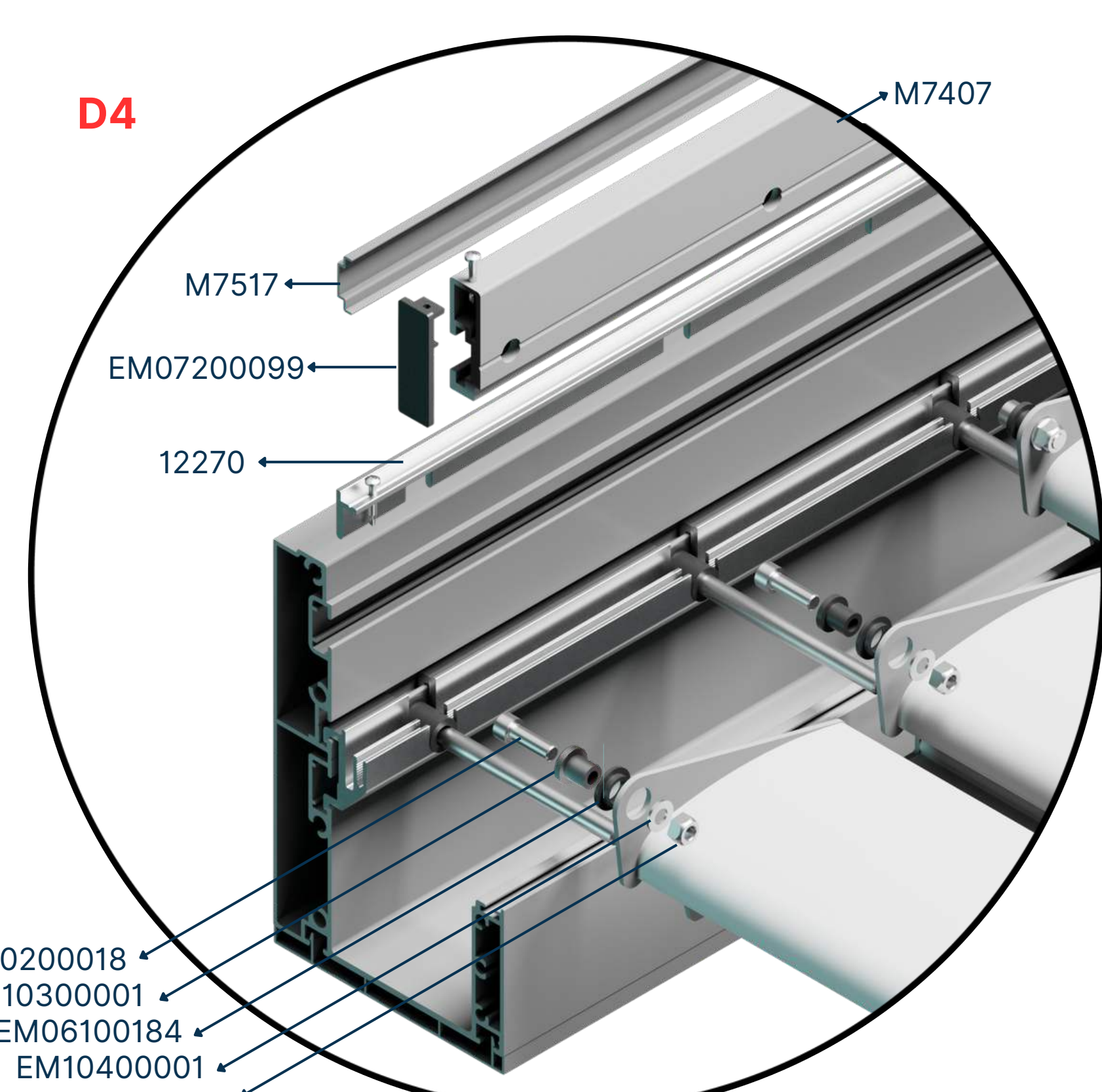
D1: This is a close-up of the motor control box.



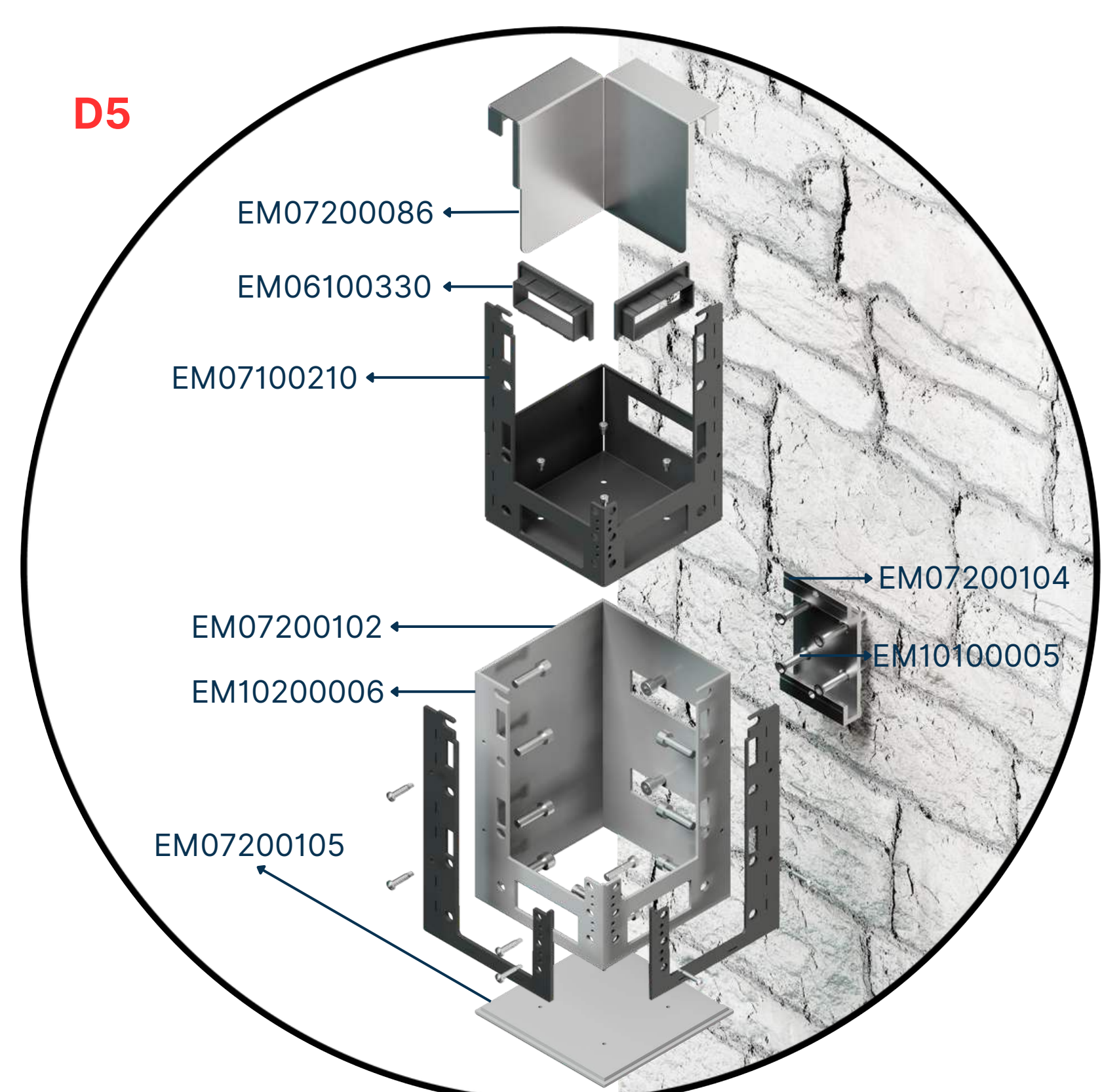
D2: This concerns the assembly of engine components.



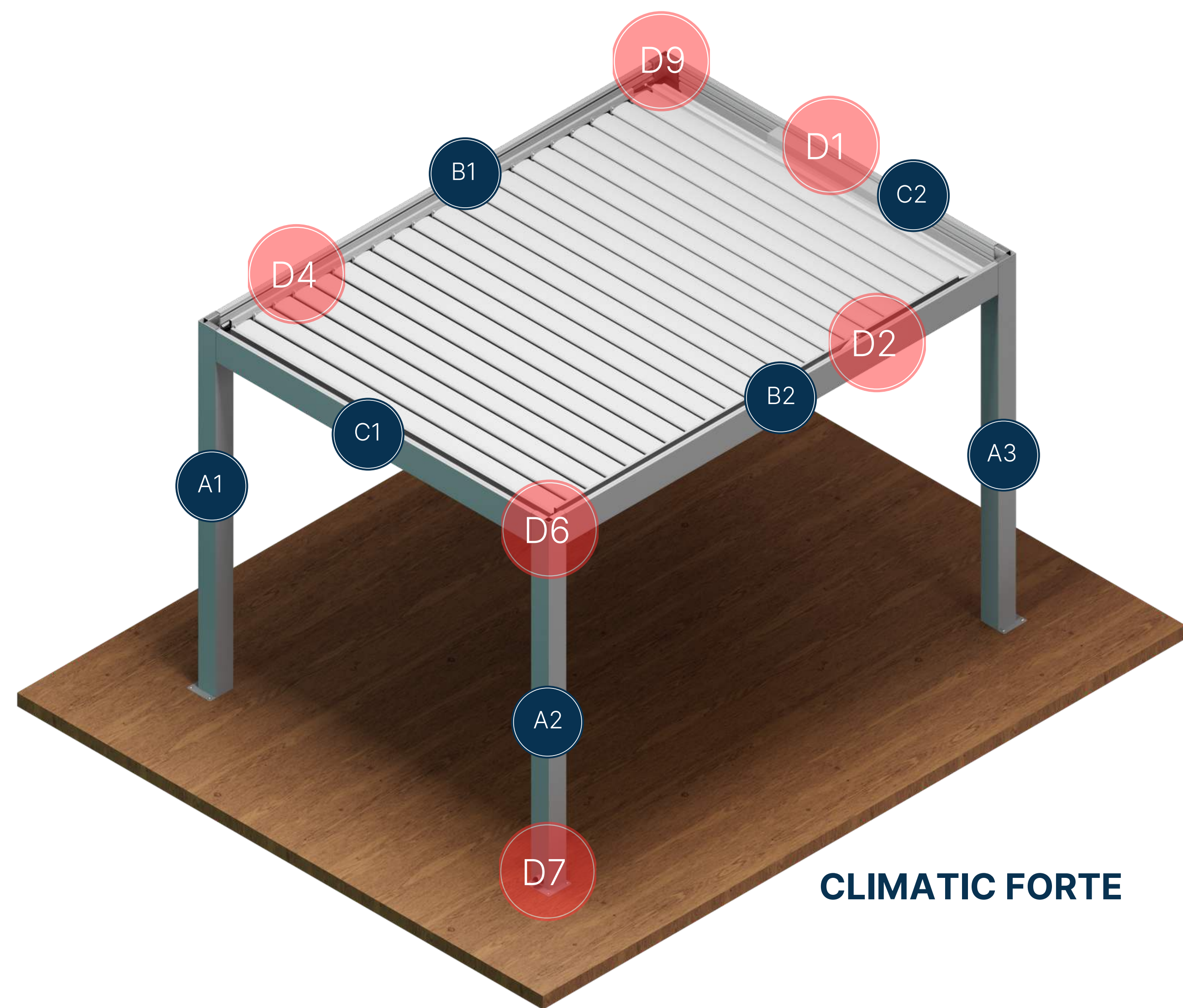
D3: The system assembly is a centre post detail featuring a water outlet.



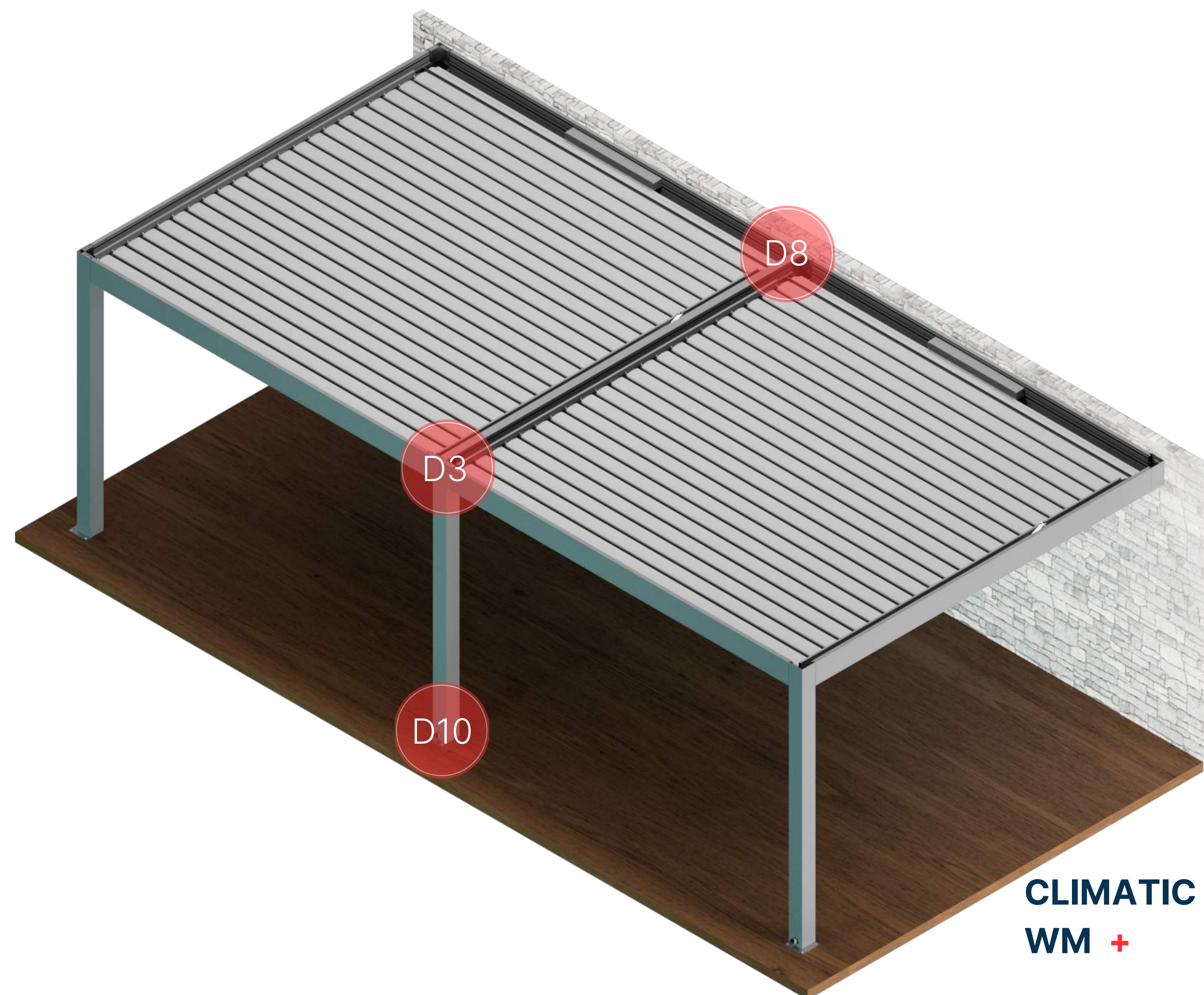
D4: This is the fitting detail for the hinge arm and slats.



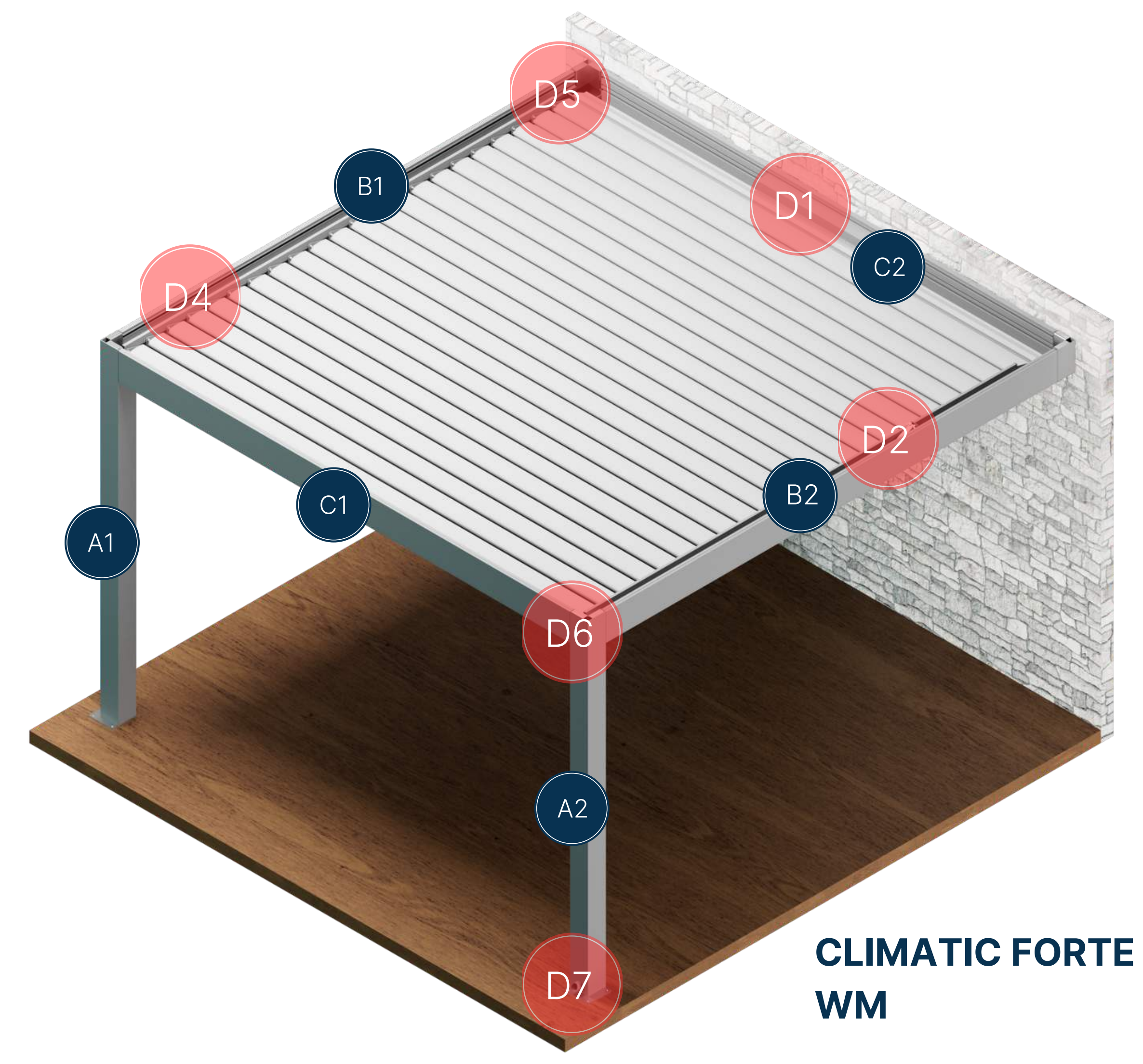
D5: This is a corner detail for a wall connection.



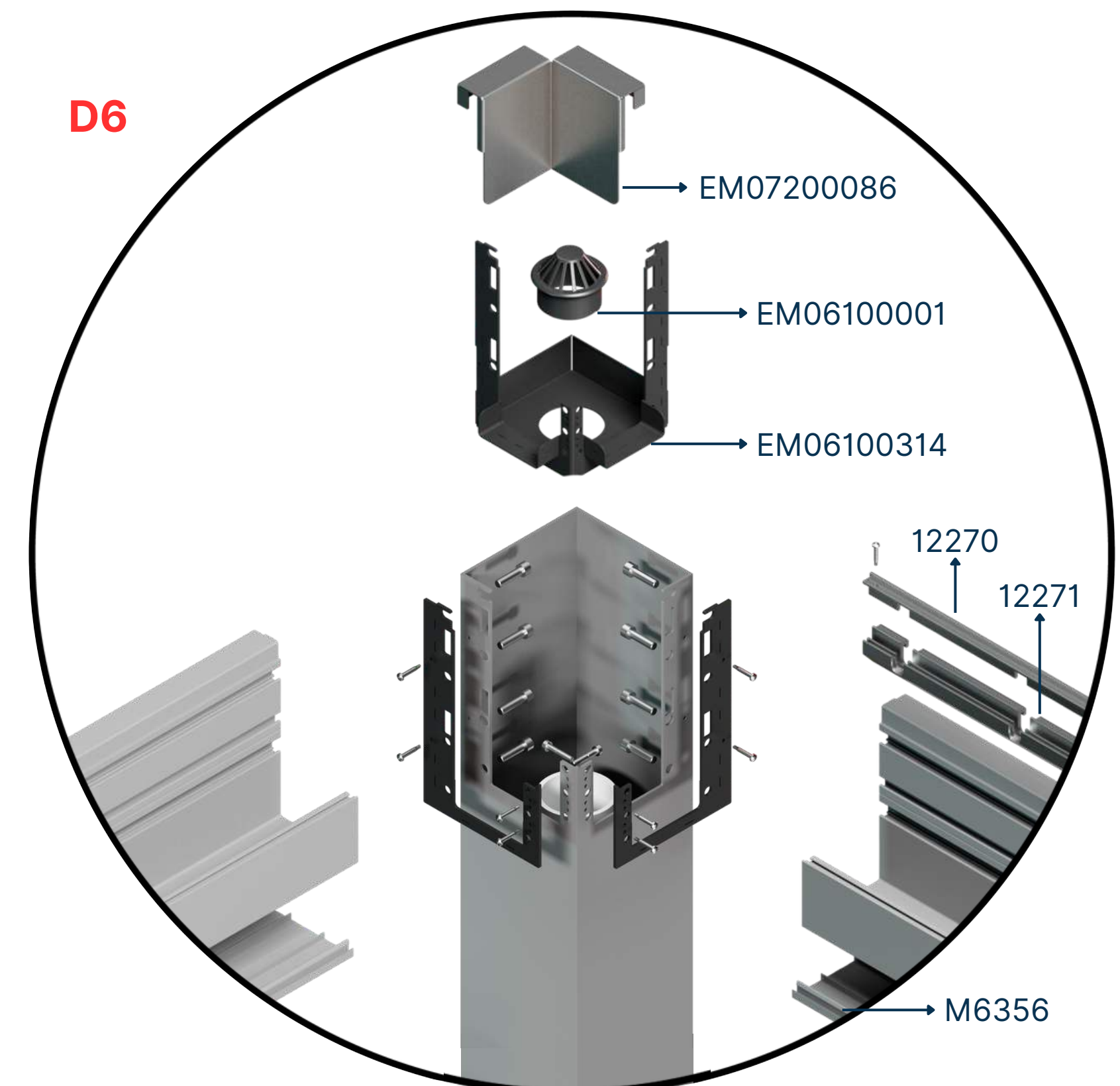
CLIMATIC FORTE



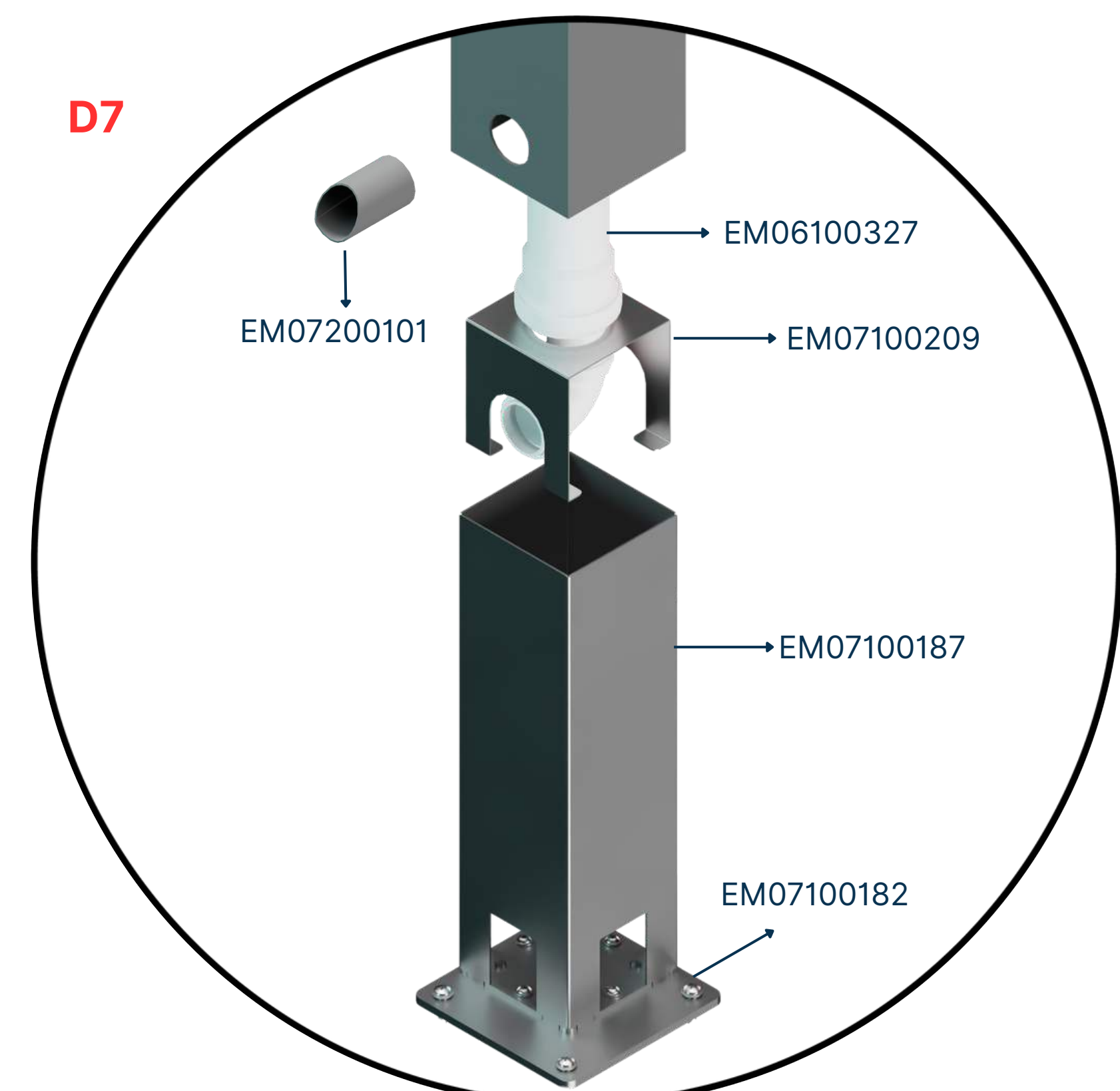
CLIMATIC FORTE WM +



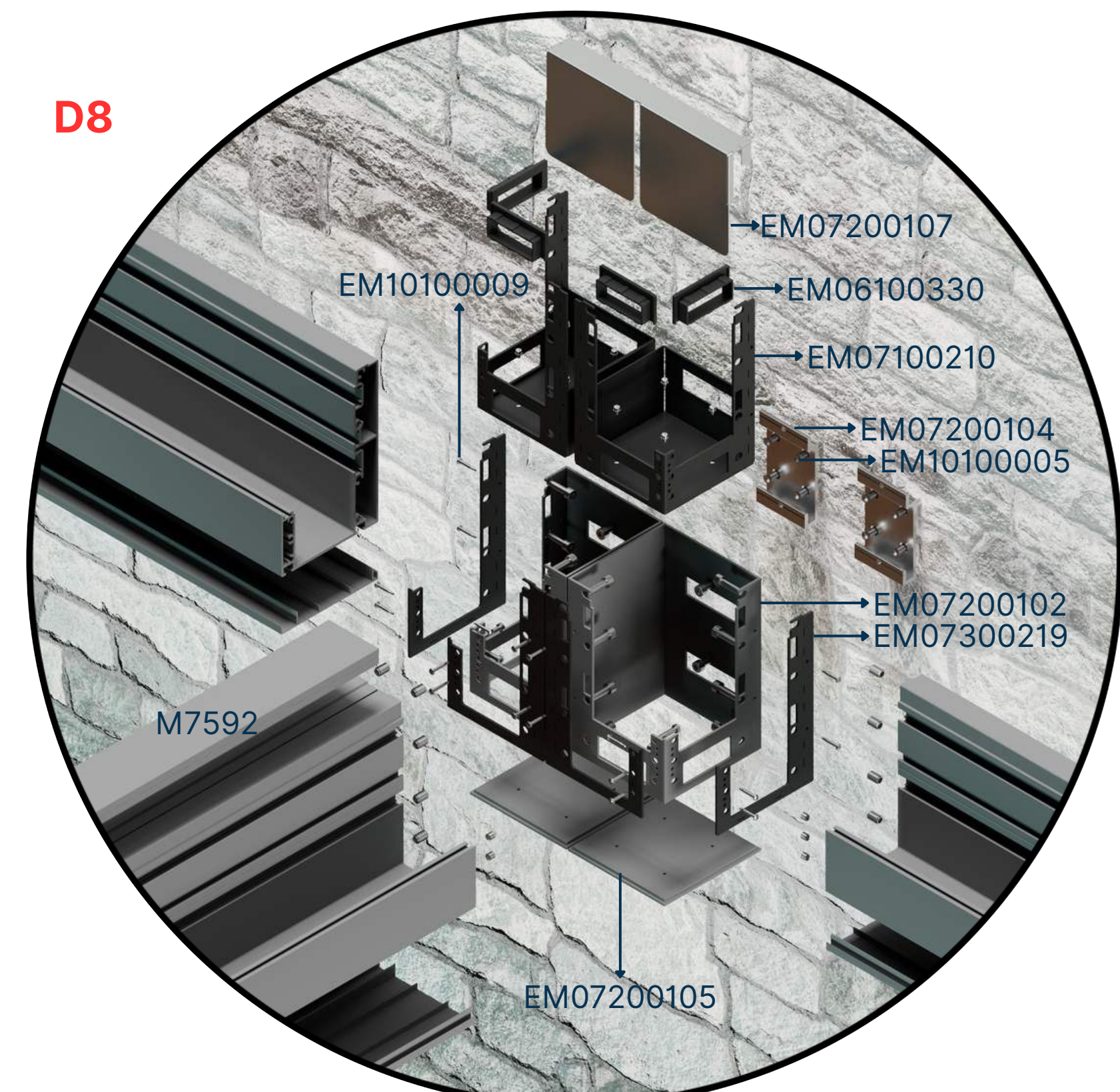
CLIMATIC FORTE WM



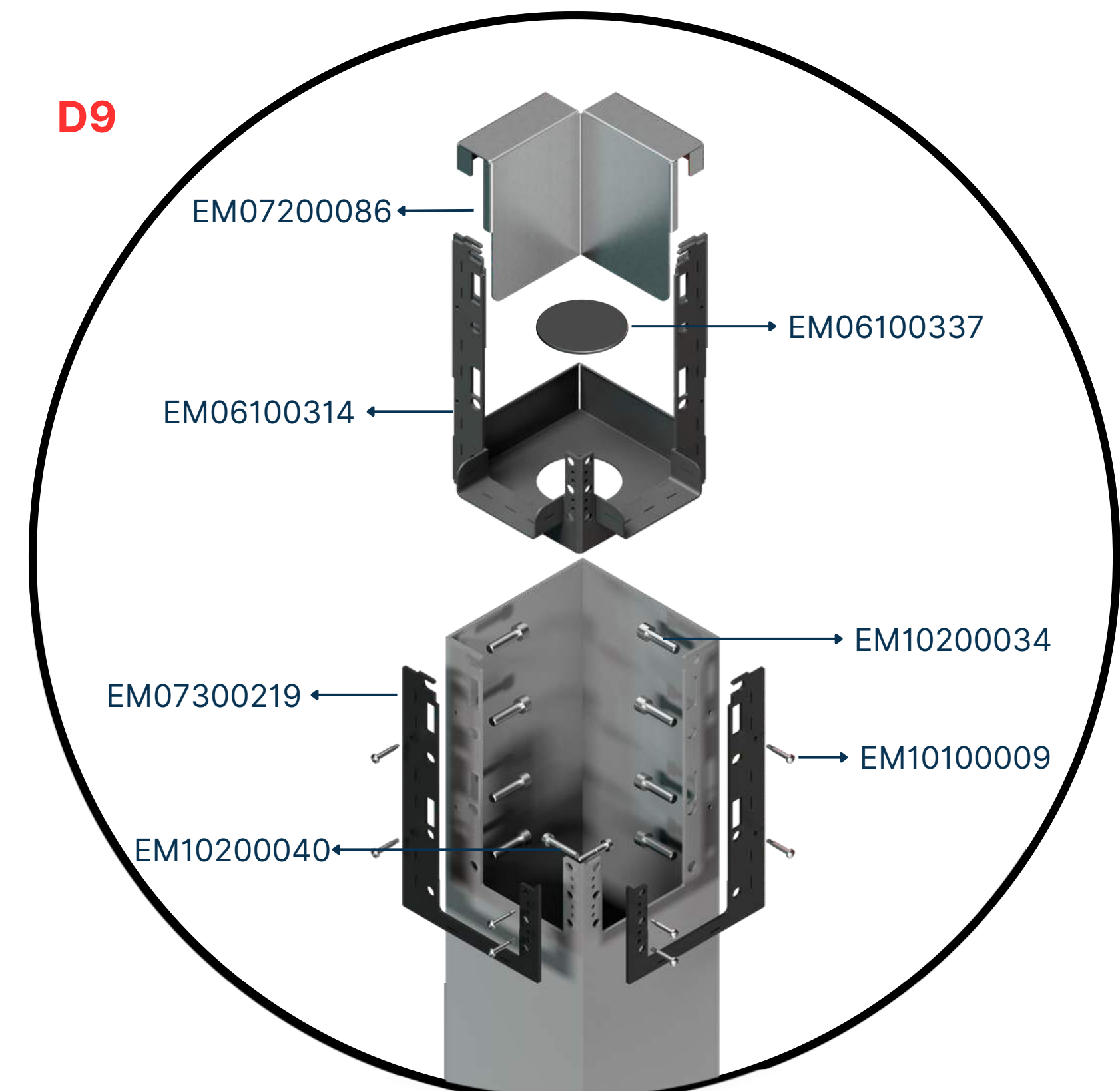
D6: This is the corner detail for posts with a water outlet.



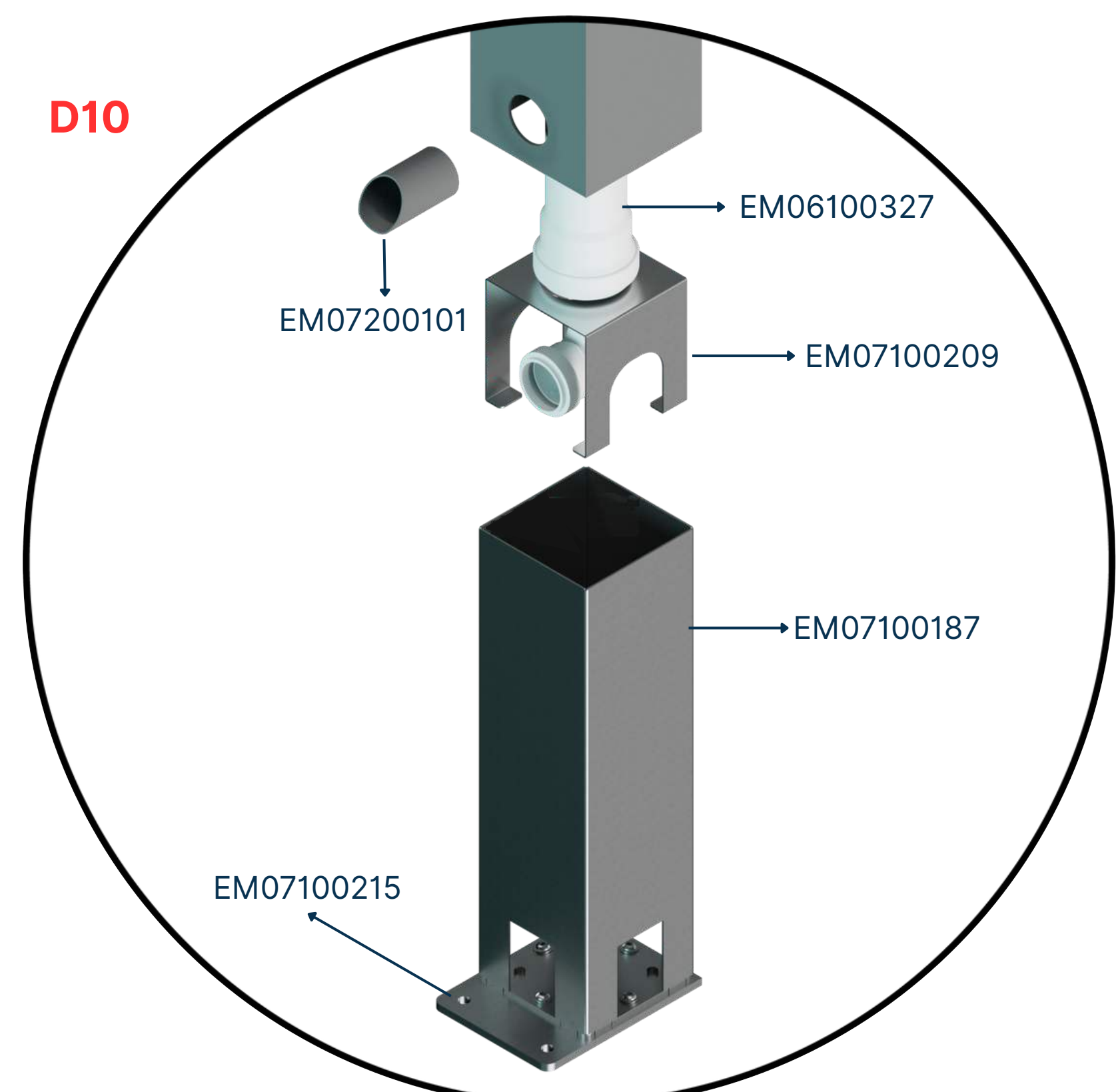
D7: This is the base detail of the posts with water outlets.



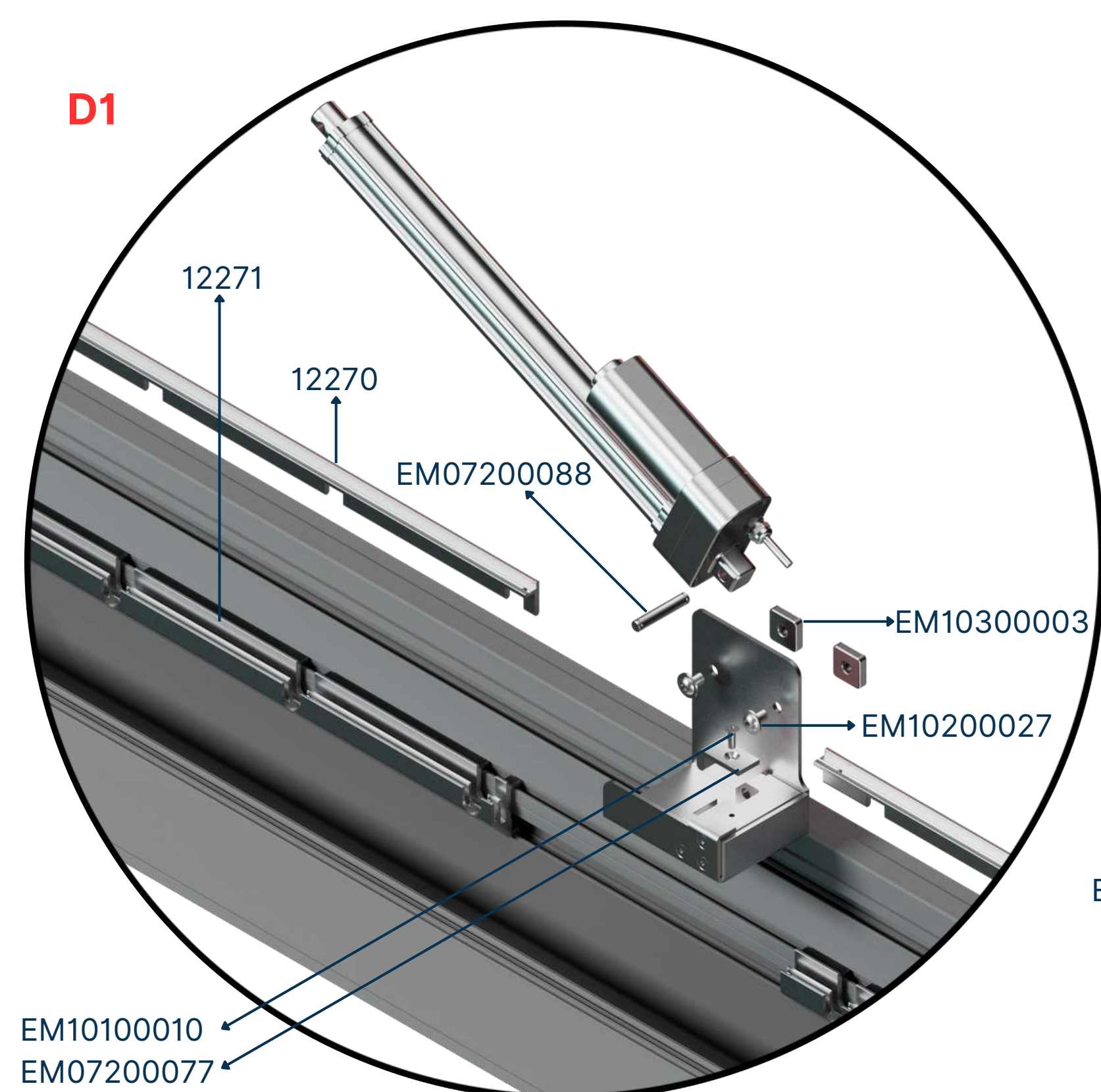
D8: This is a detail of a wall connection for a system integration.



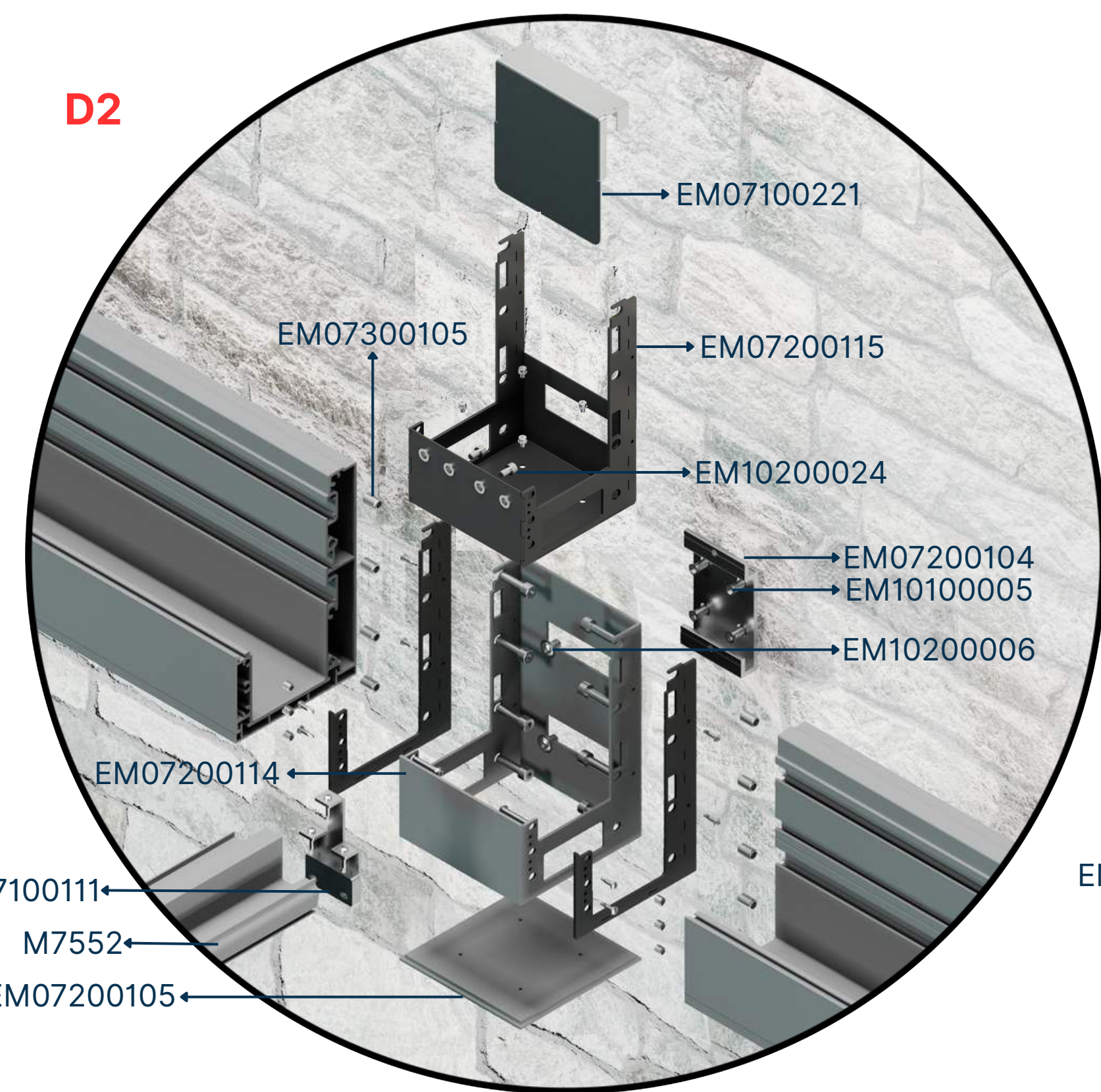
D9: This is the corner detail for posts without a water outlet.



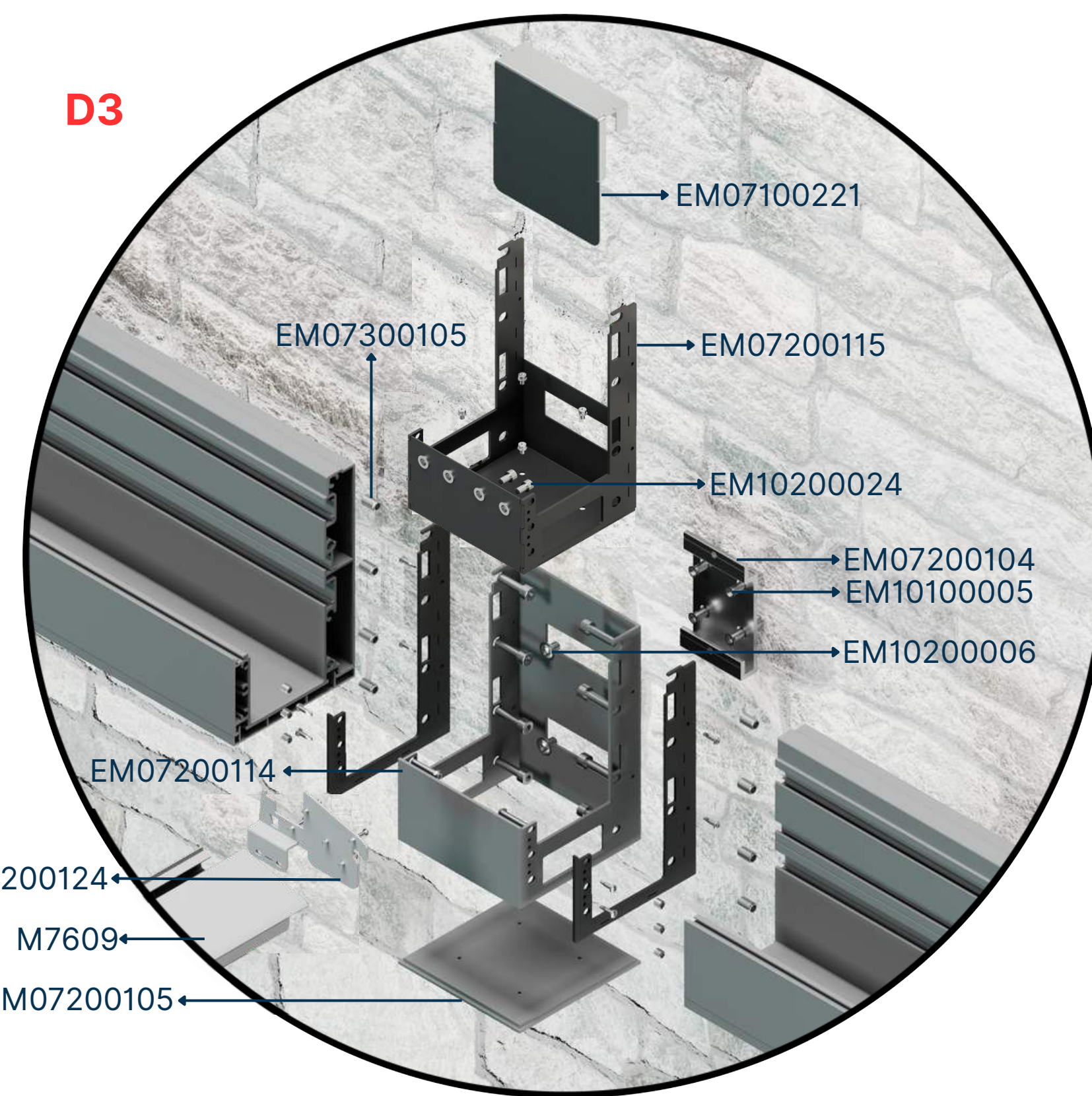
D10: This is the base detail of a central joint post with a water outlet.



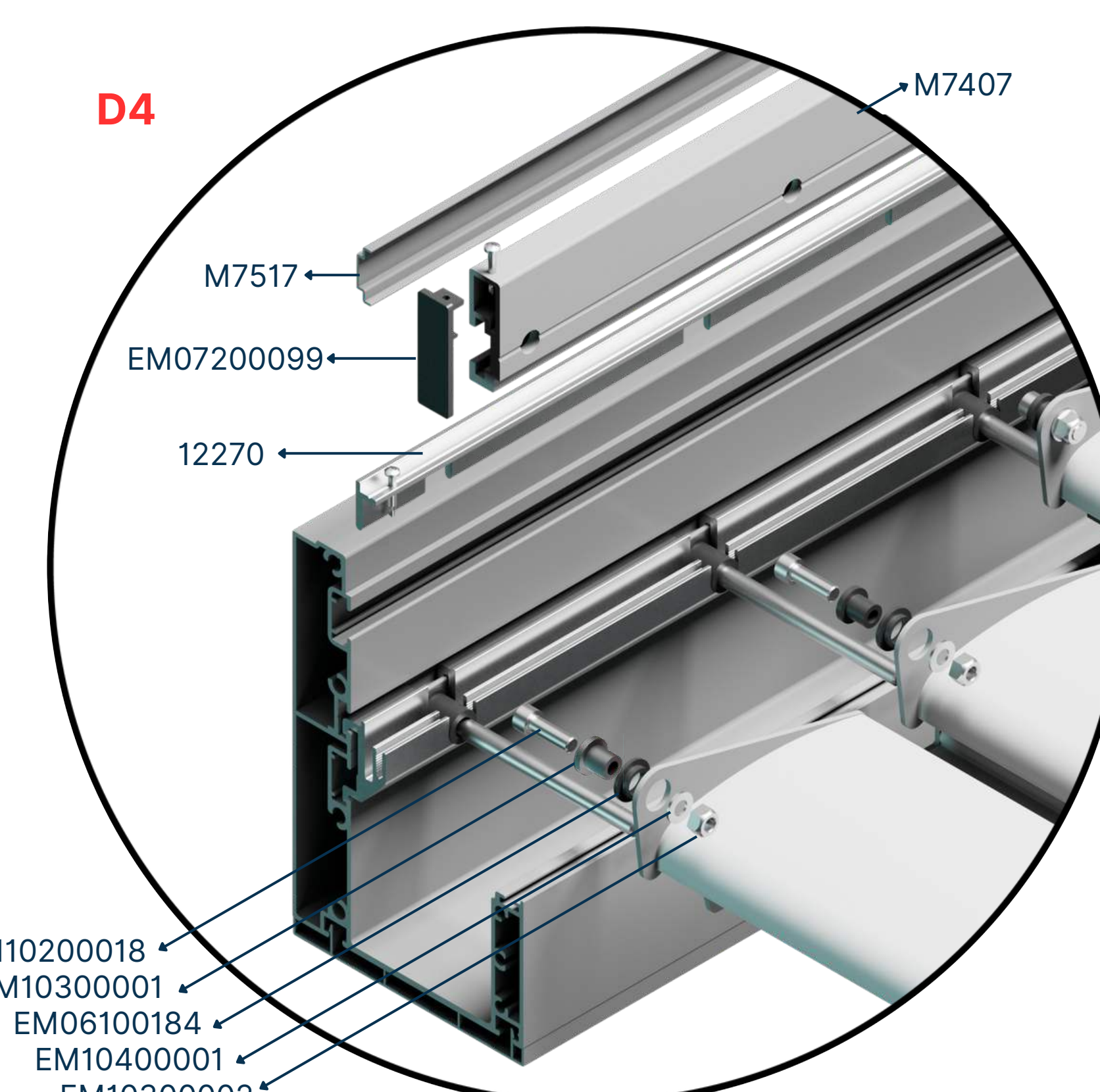
D1: This is a detail regarding the fitting of engine parts.



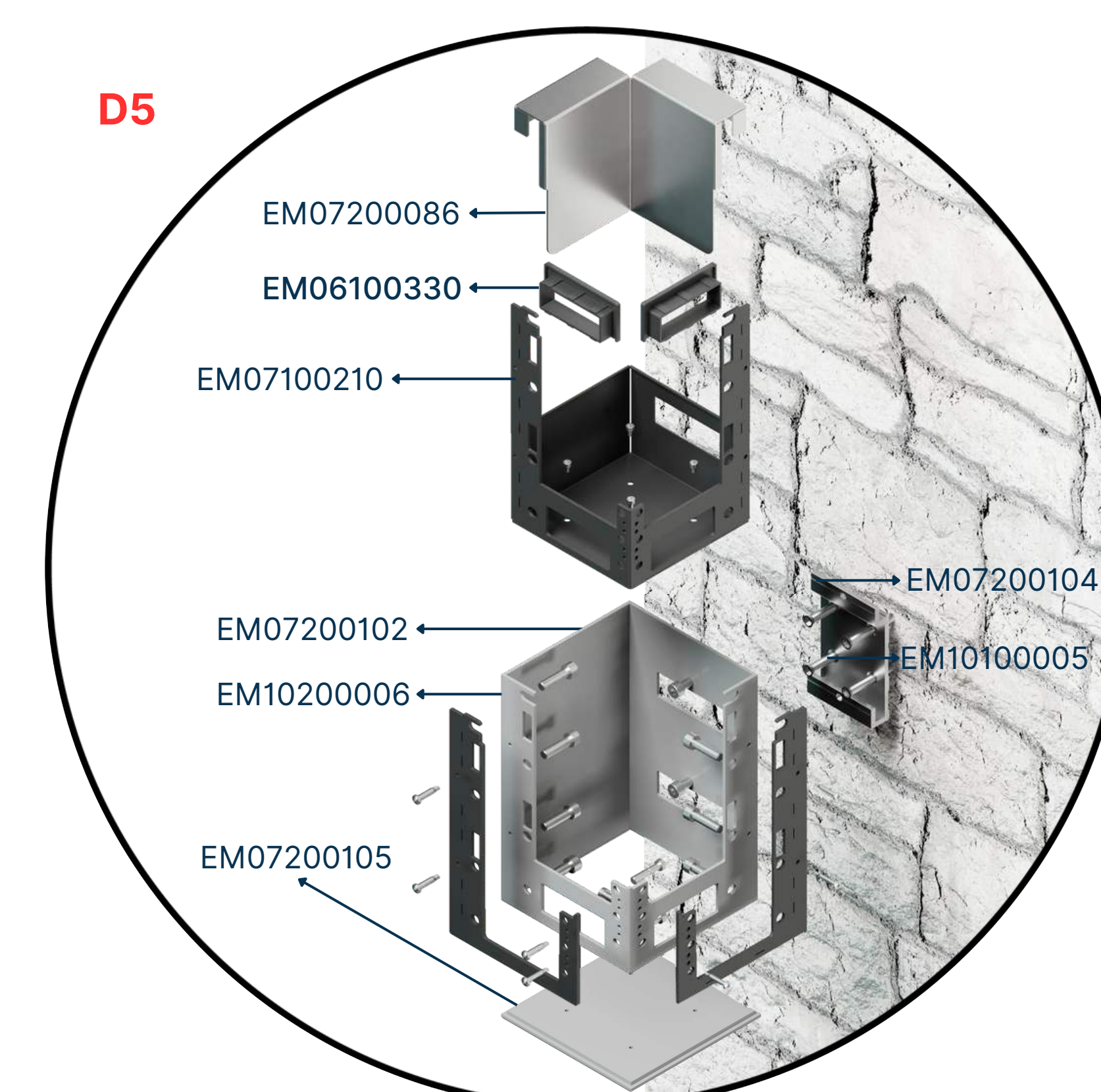
D2: This is a detail of the Duo wall mounting.



D3: This is a detail of a linear wall connection.

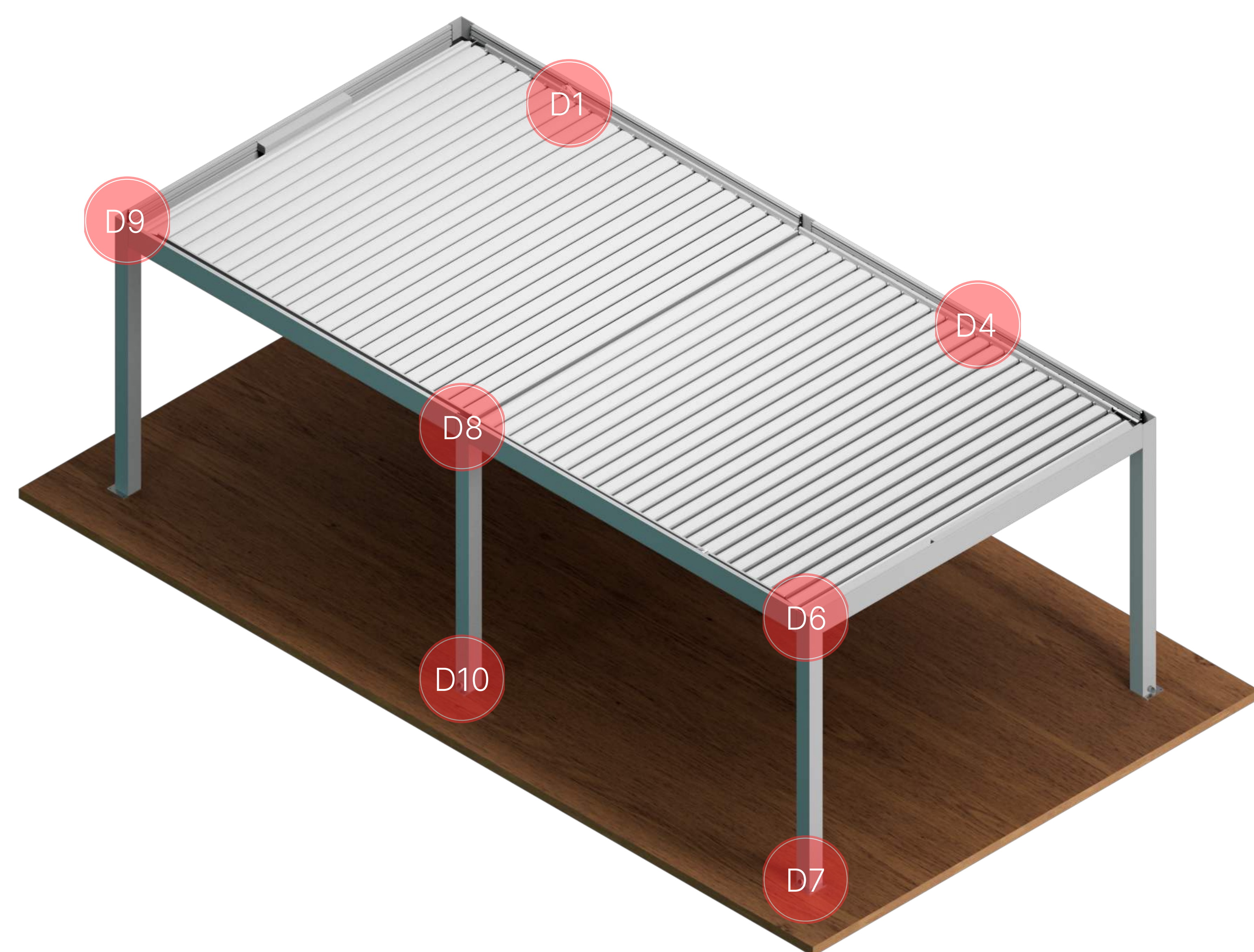


D4: This is the fitting detail for the hinge arm and slats.

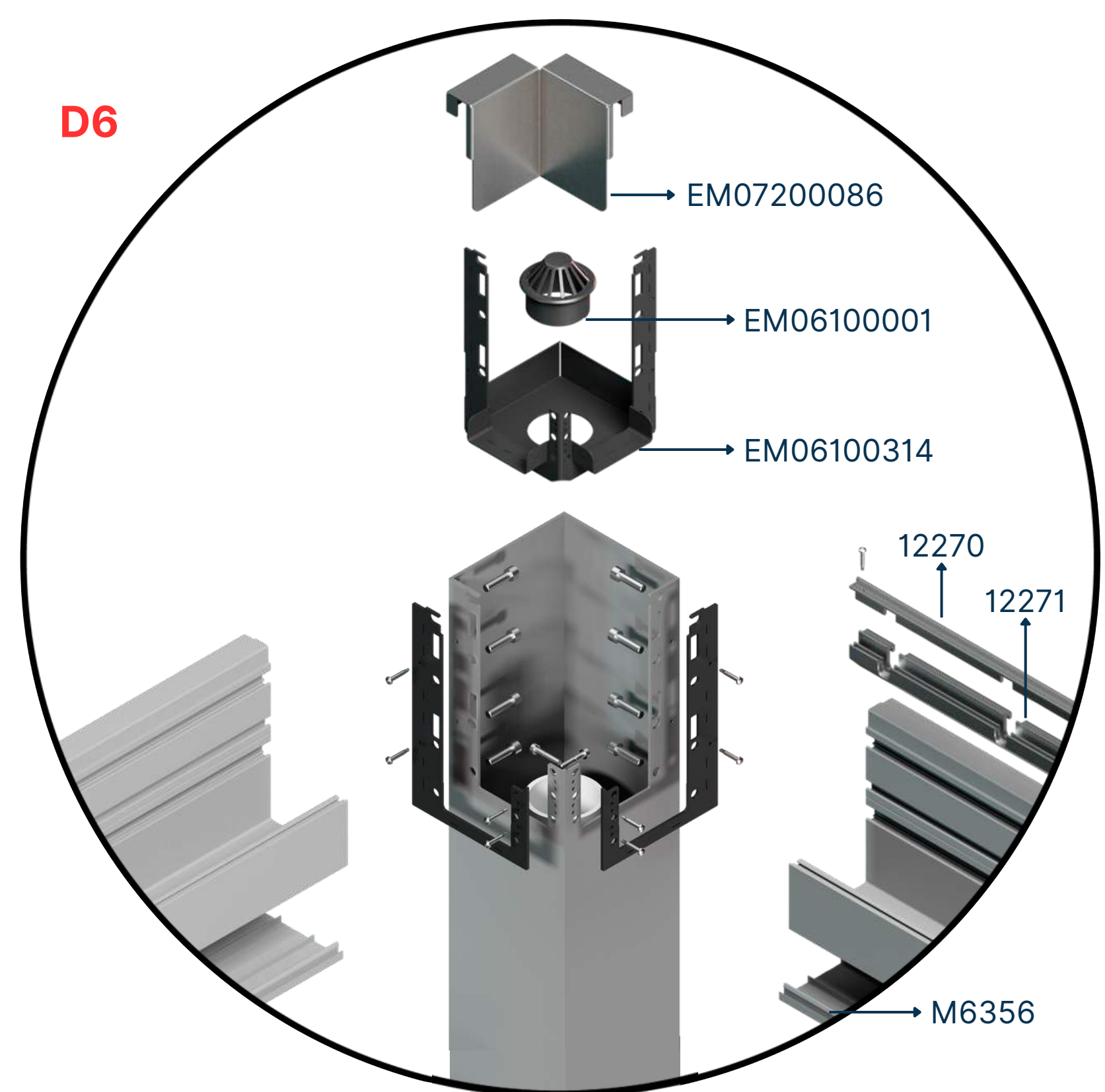
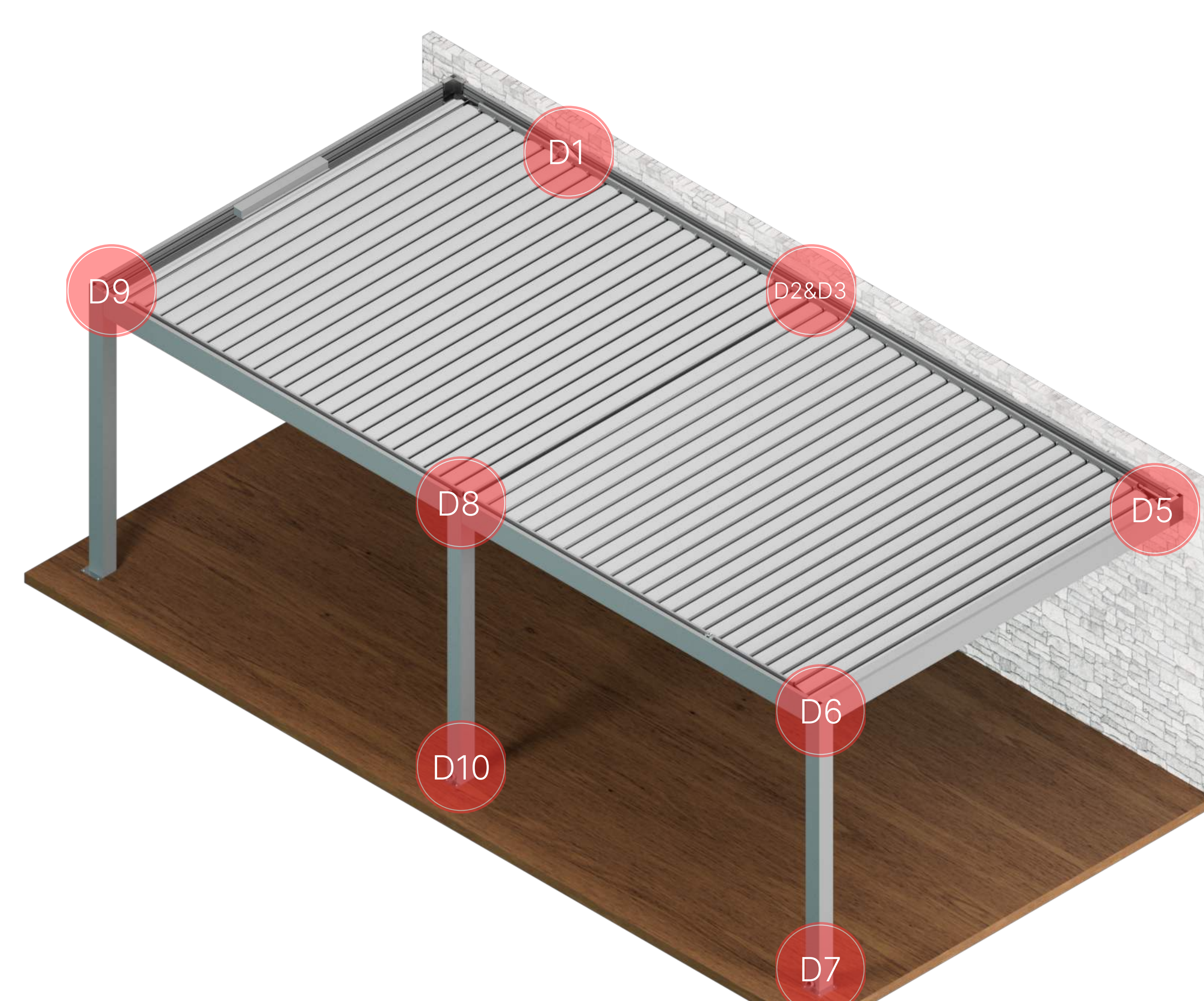


D5: This is a corner detail for a wall connection.

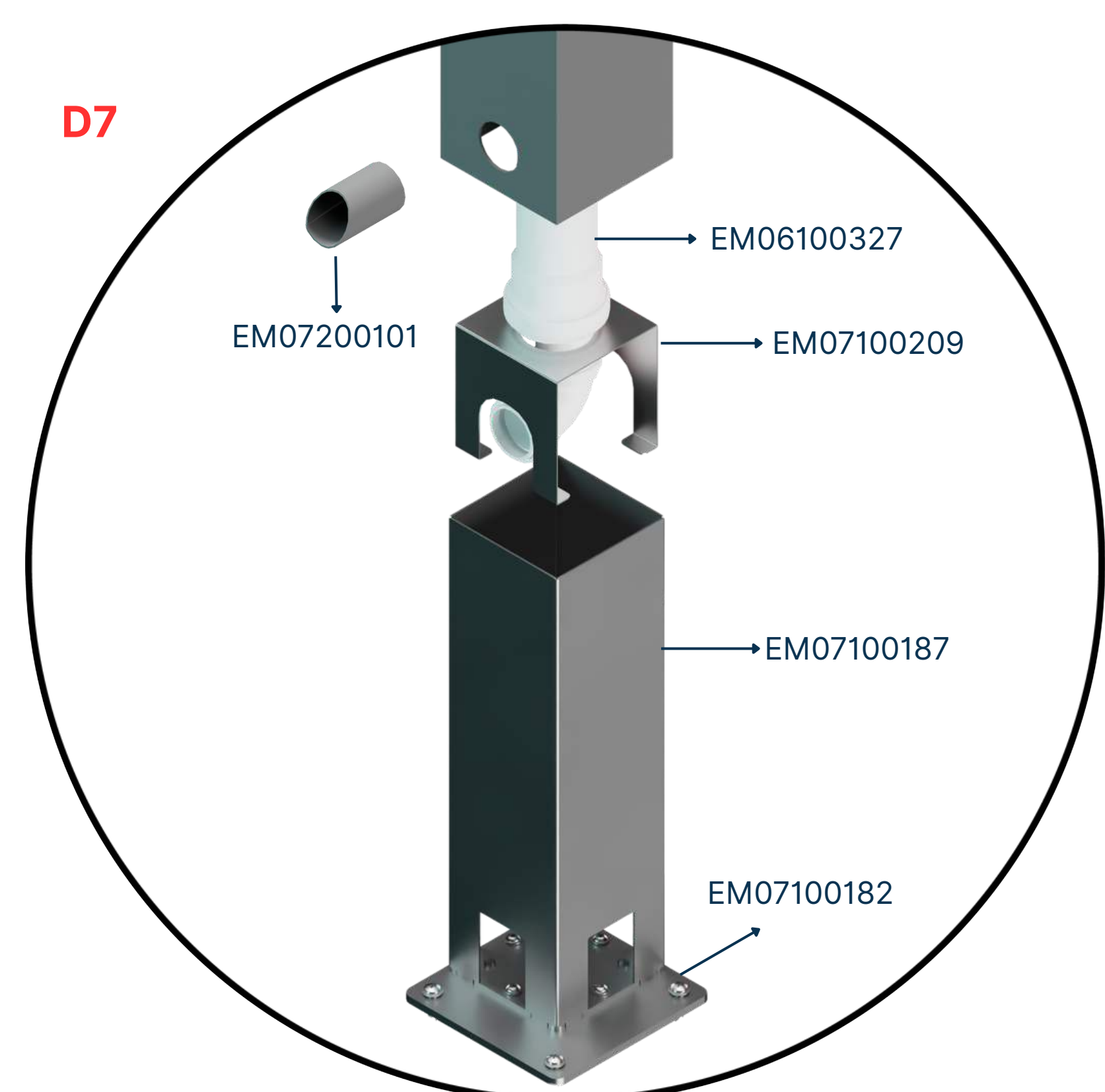
CLIMATIC FORTE DUO



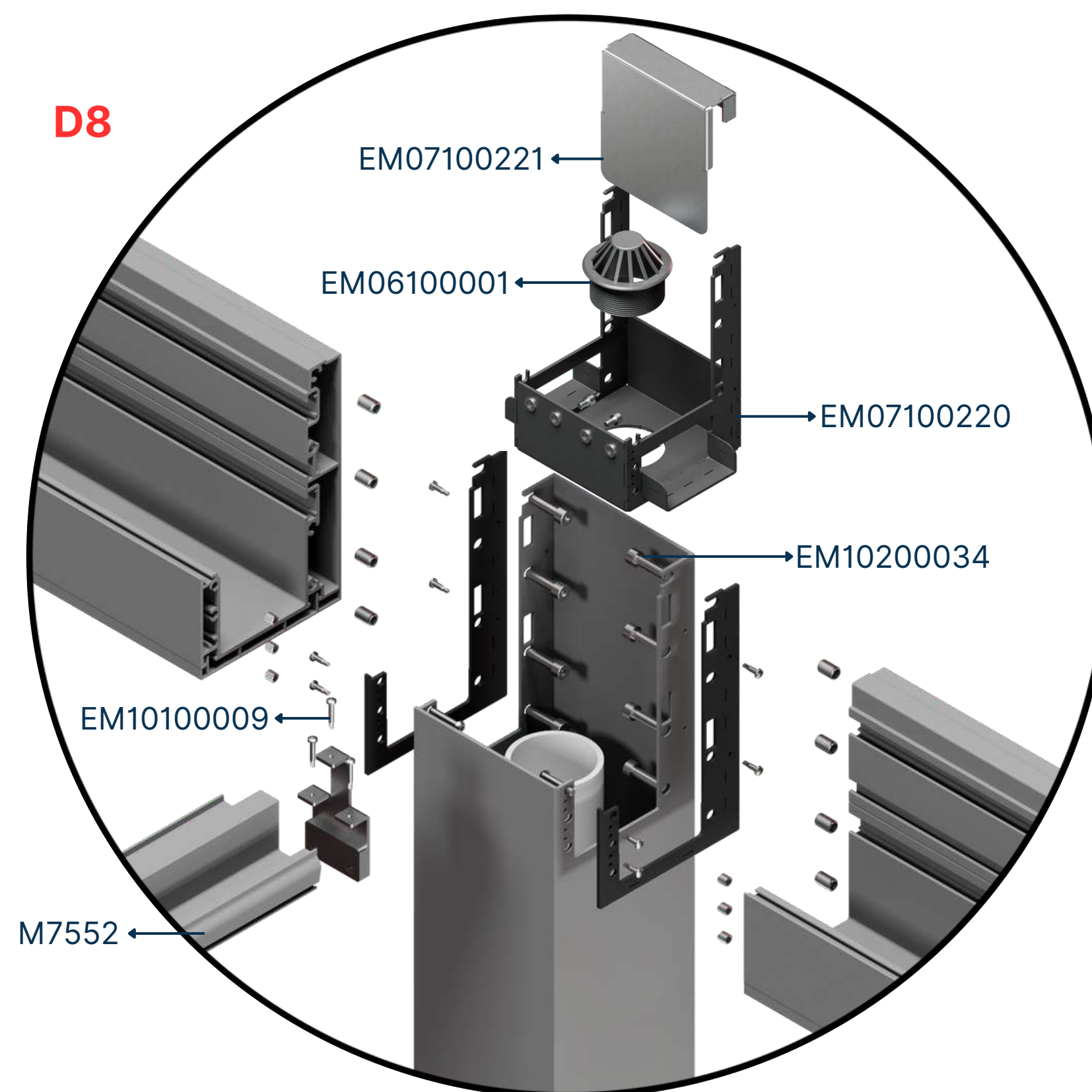
CLIMATIC FORTE DUO / LINEAR WM



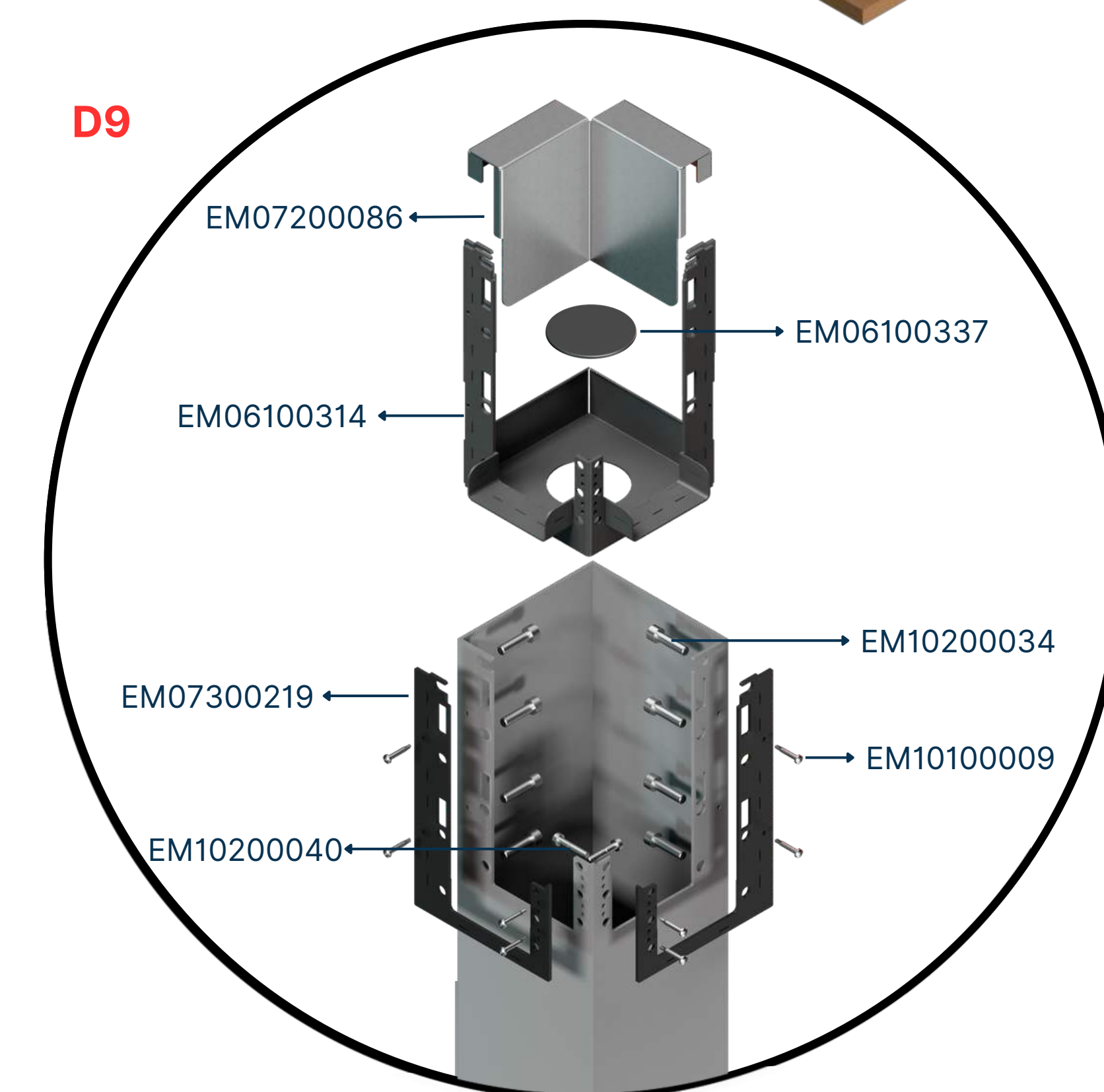
D6: This is the corner detail for posts with a water outlet.



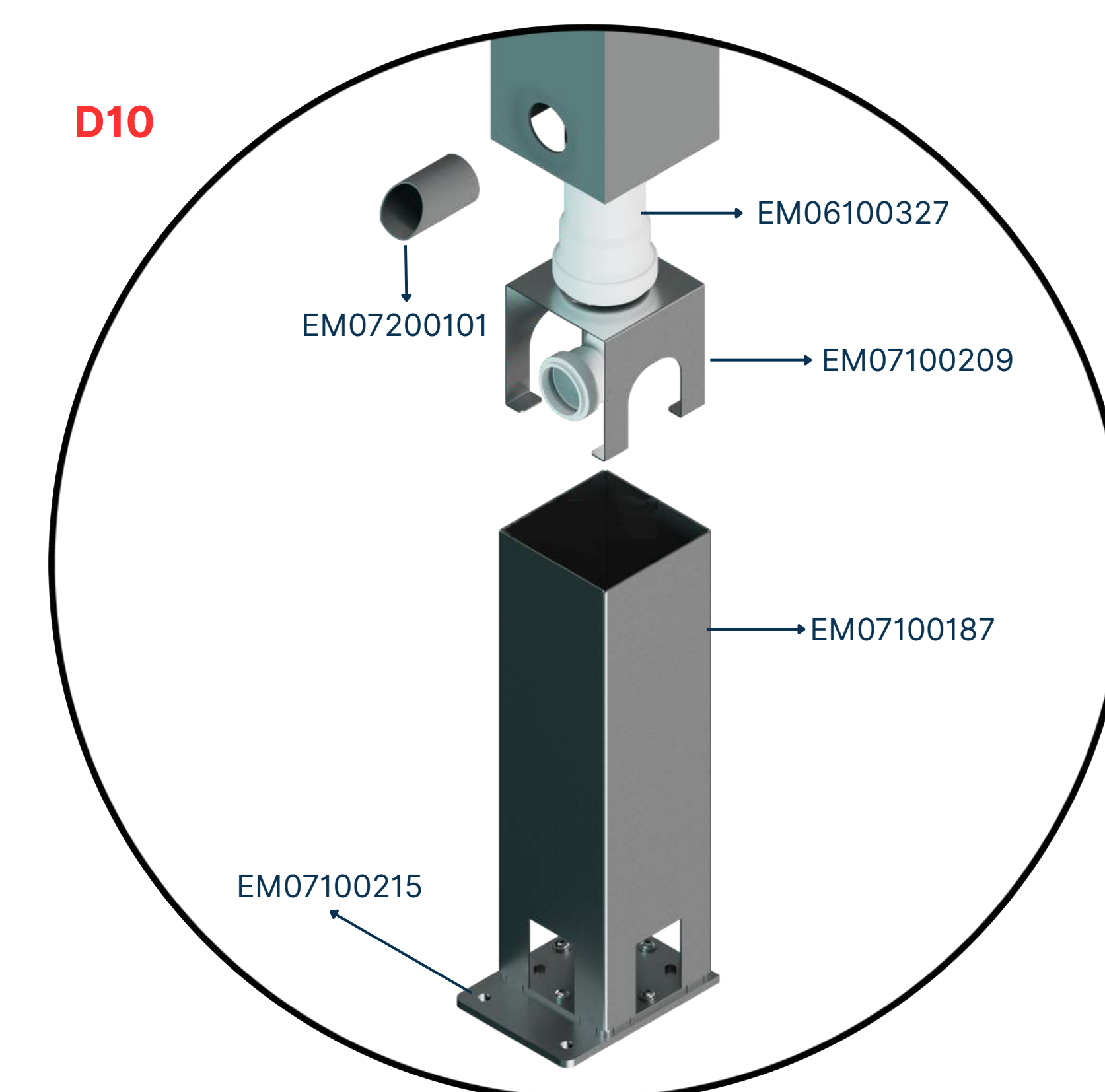
D7: This is the base detail of posts with water outlets.



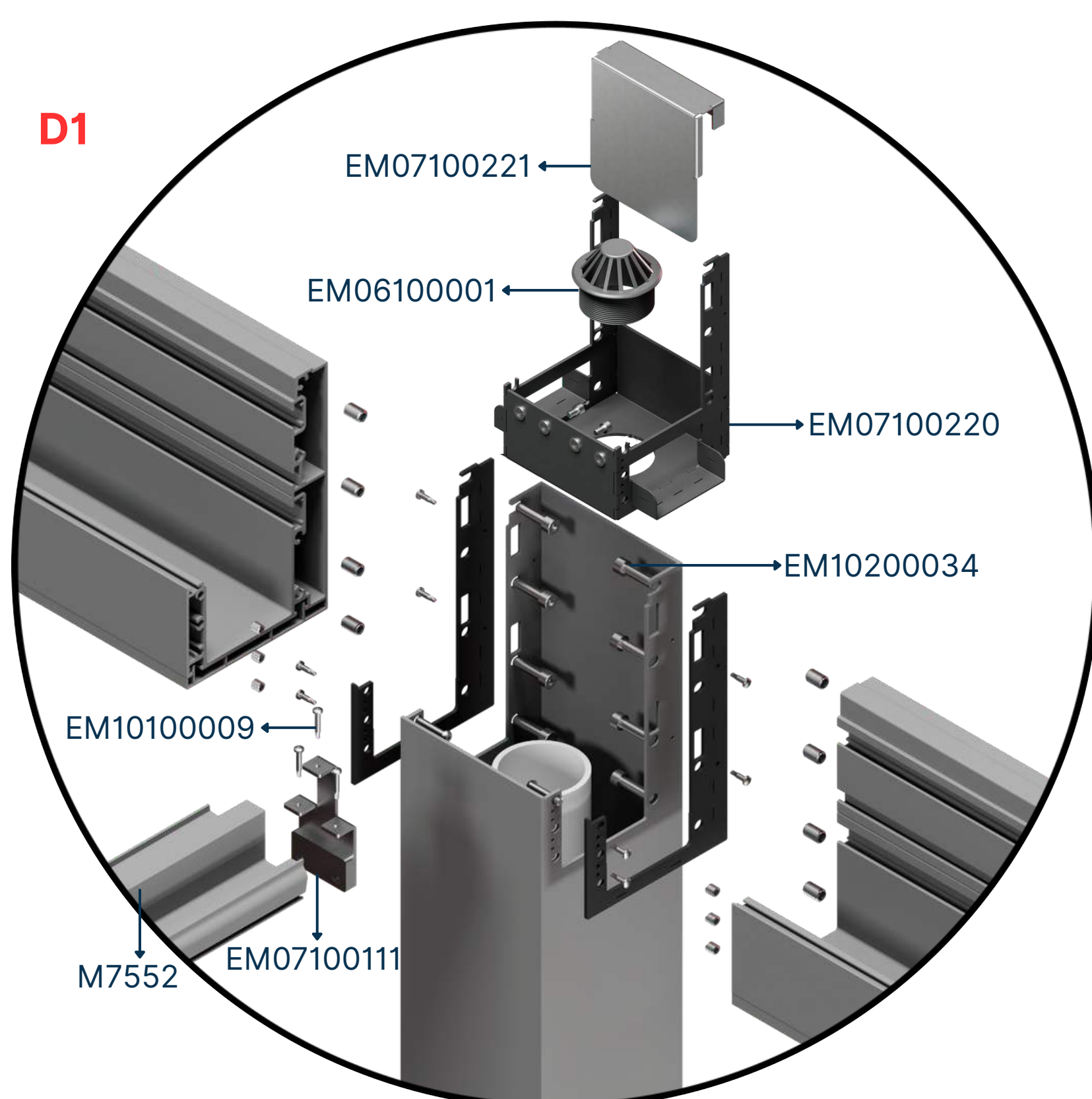
D8: Duo & Linear is a centre-post water outlet fitting.



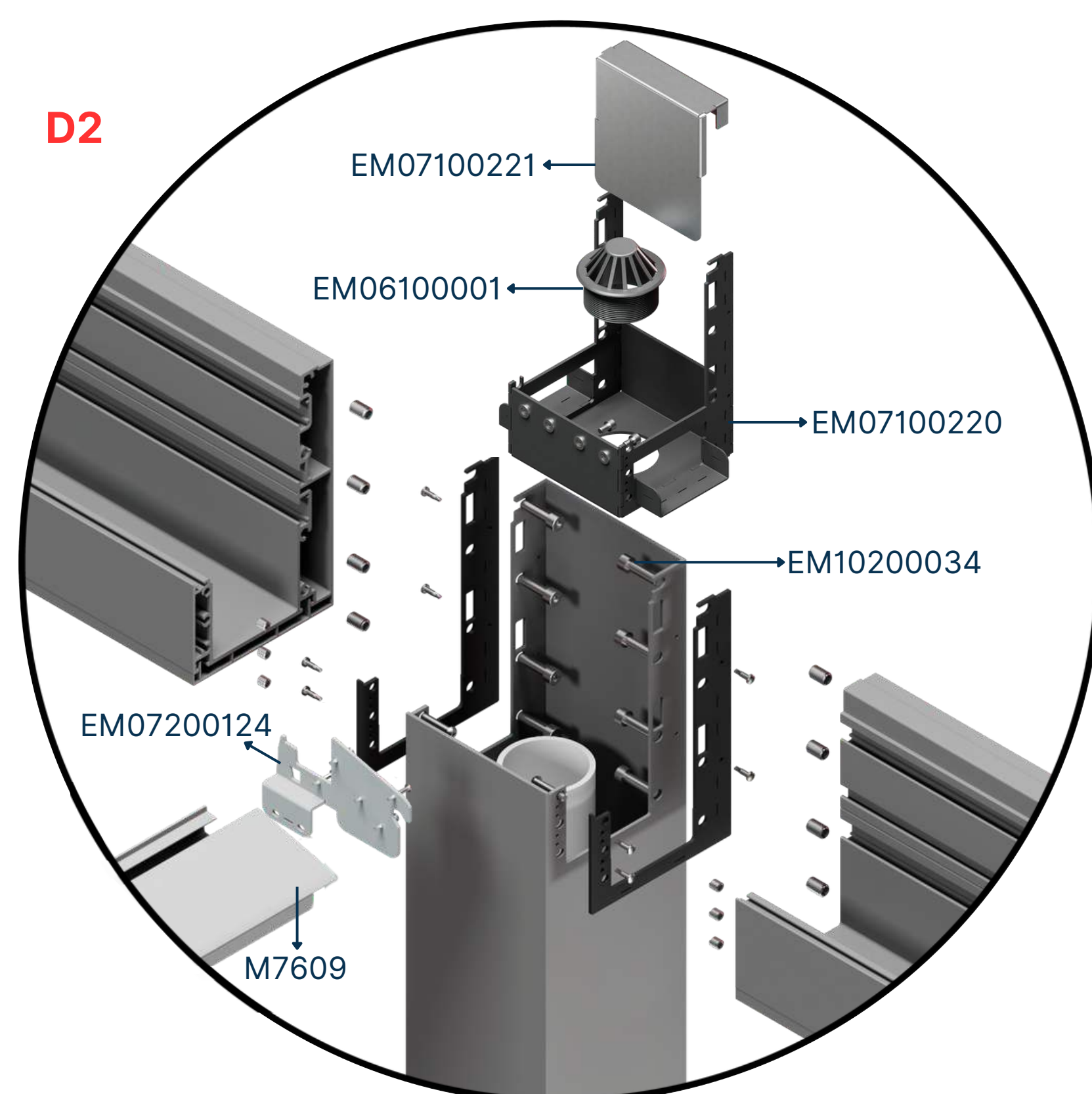
D9: This is the corner detail for posts without a water outlet.



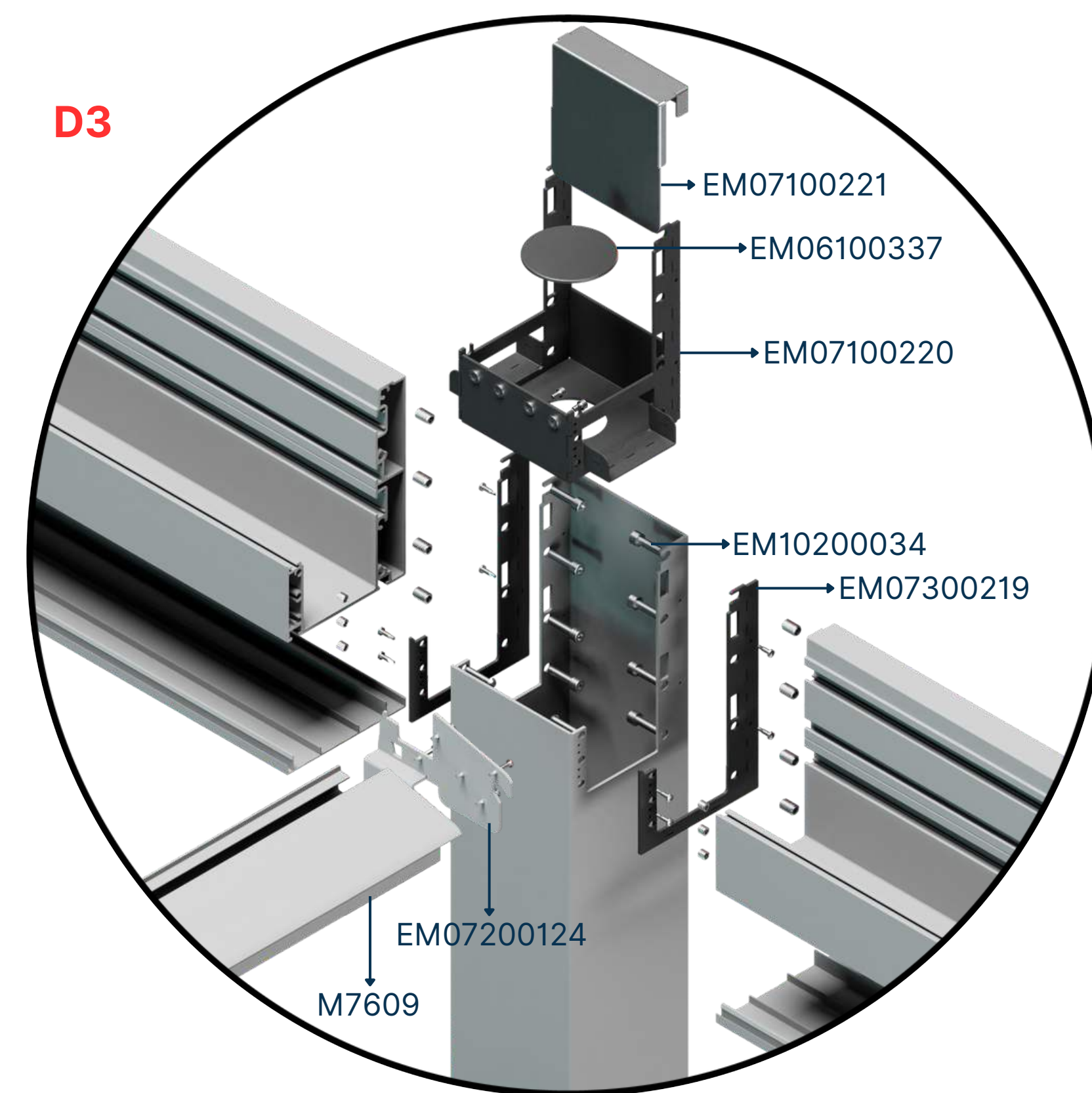
D10: This is the base detail of a central joint post with a water outlet.



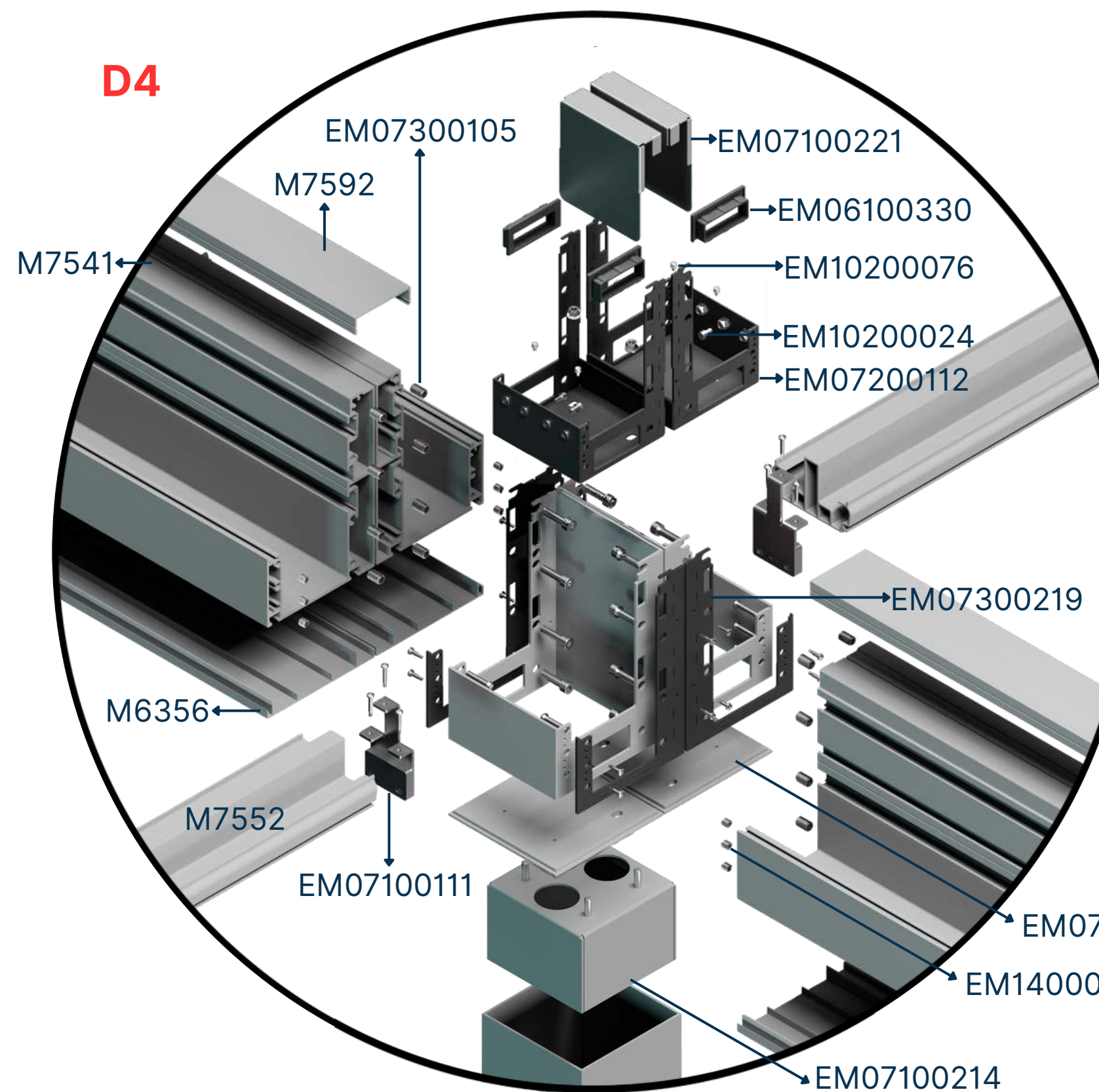
D1: Duo+ is a centre post detail.



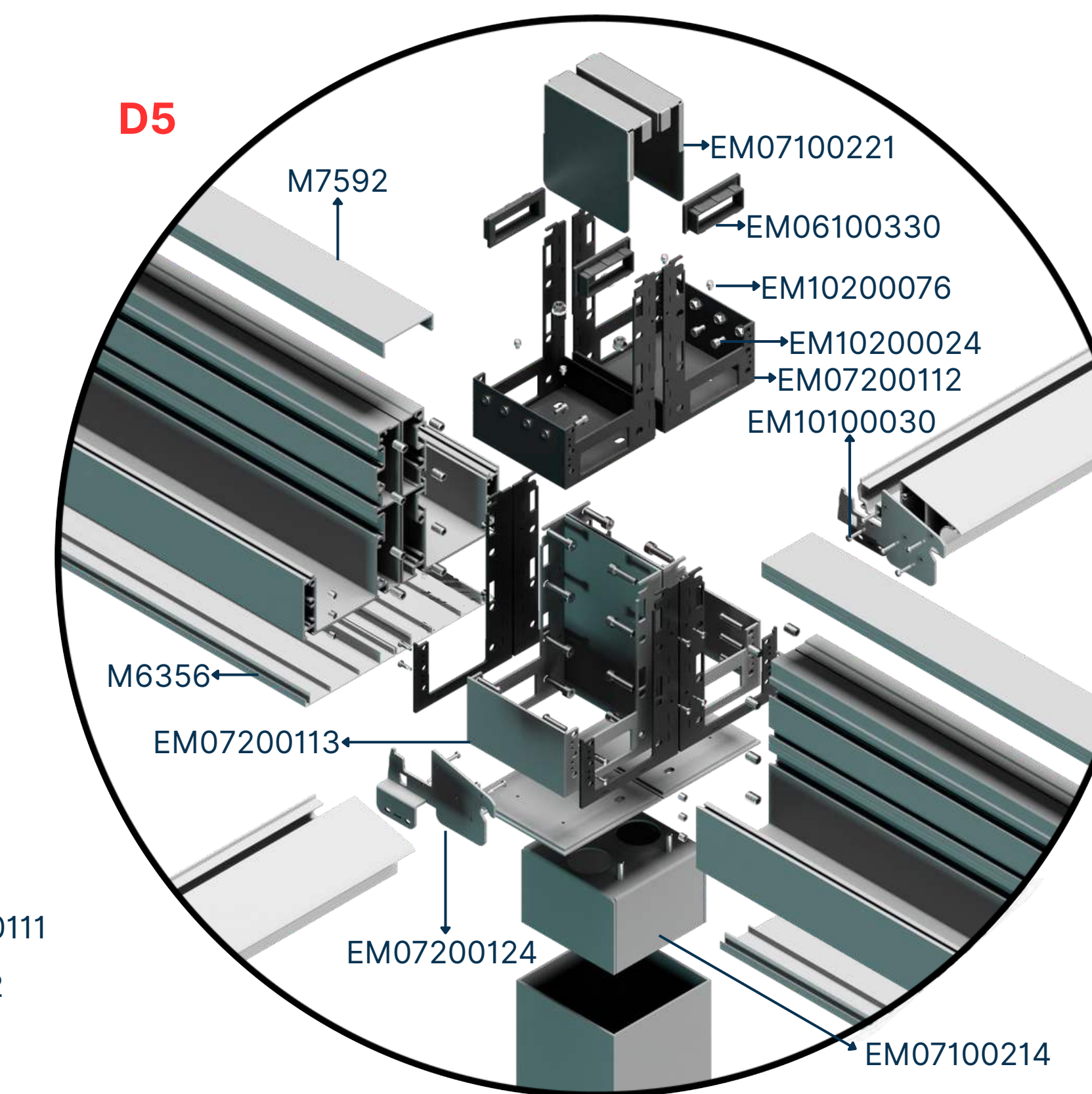
D2: This is a centre post detail featuring Linear and Linear+ water outlets.



D3: Linear & Linear+ are centre post details without a water outlet.

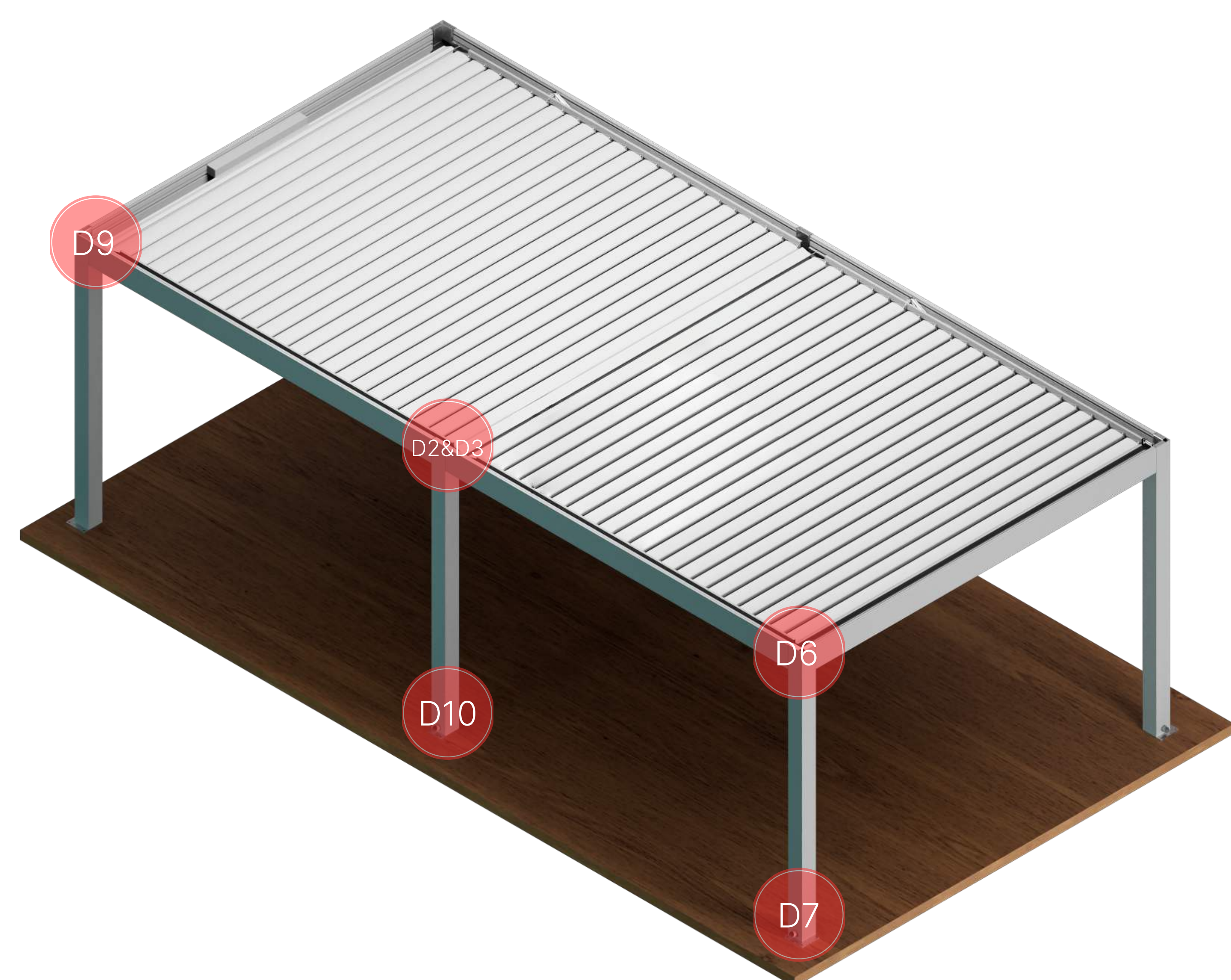


D4: Duo+ is a centre joint fitting.

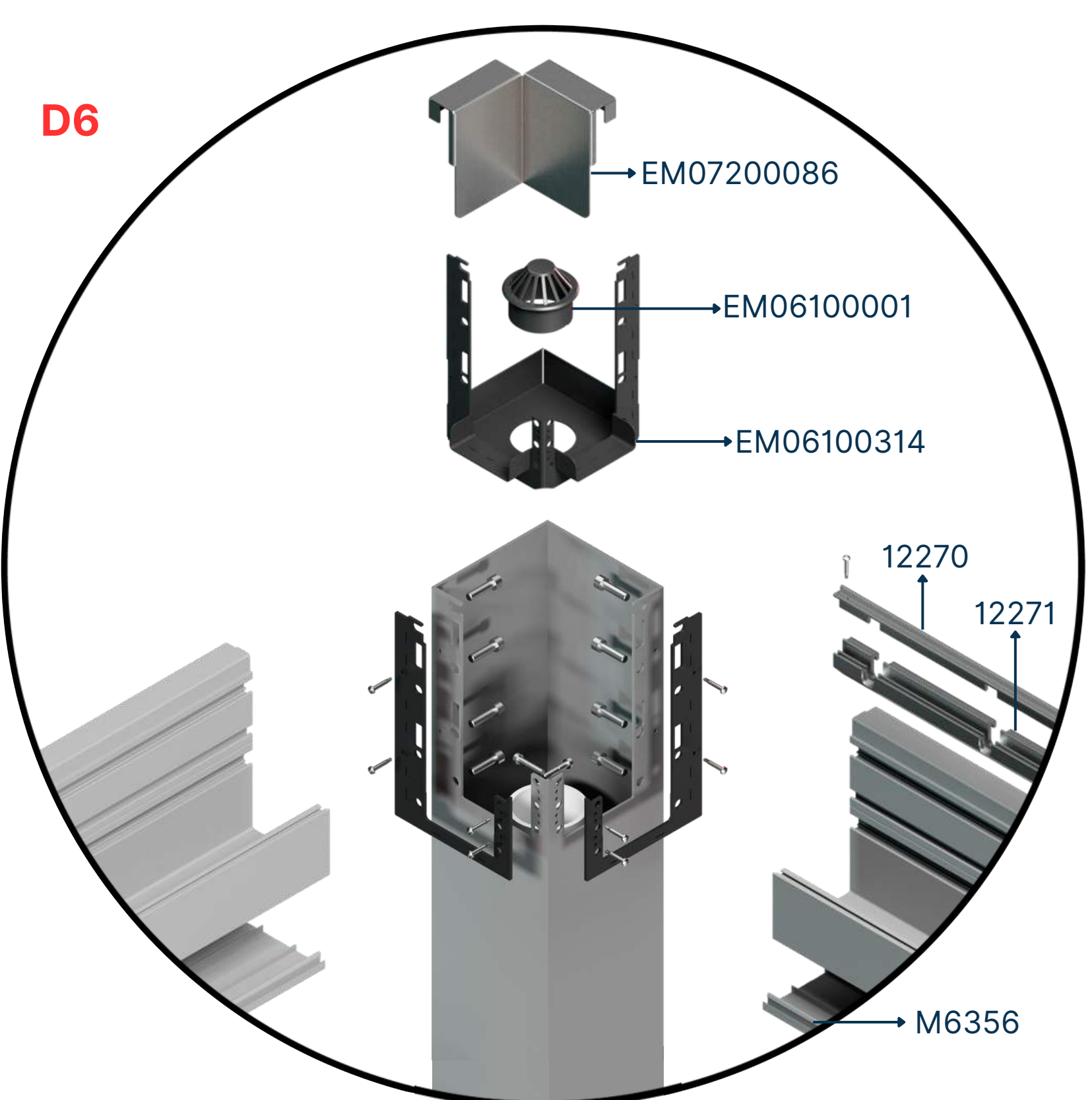
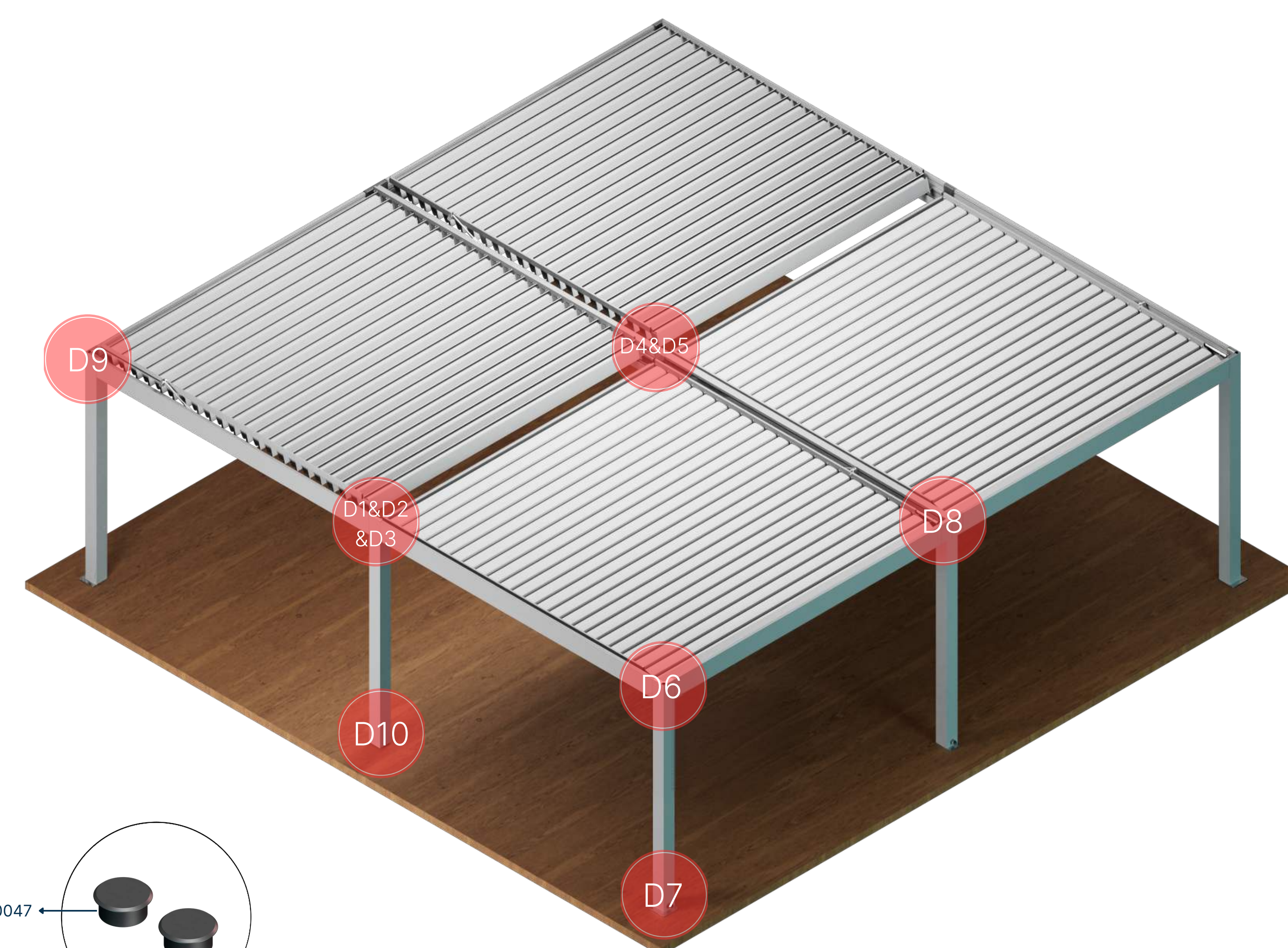


D5: Linear+ is a centre joint detail.

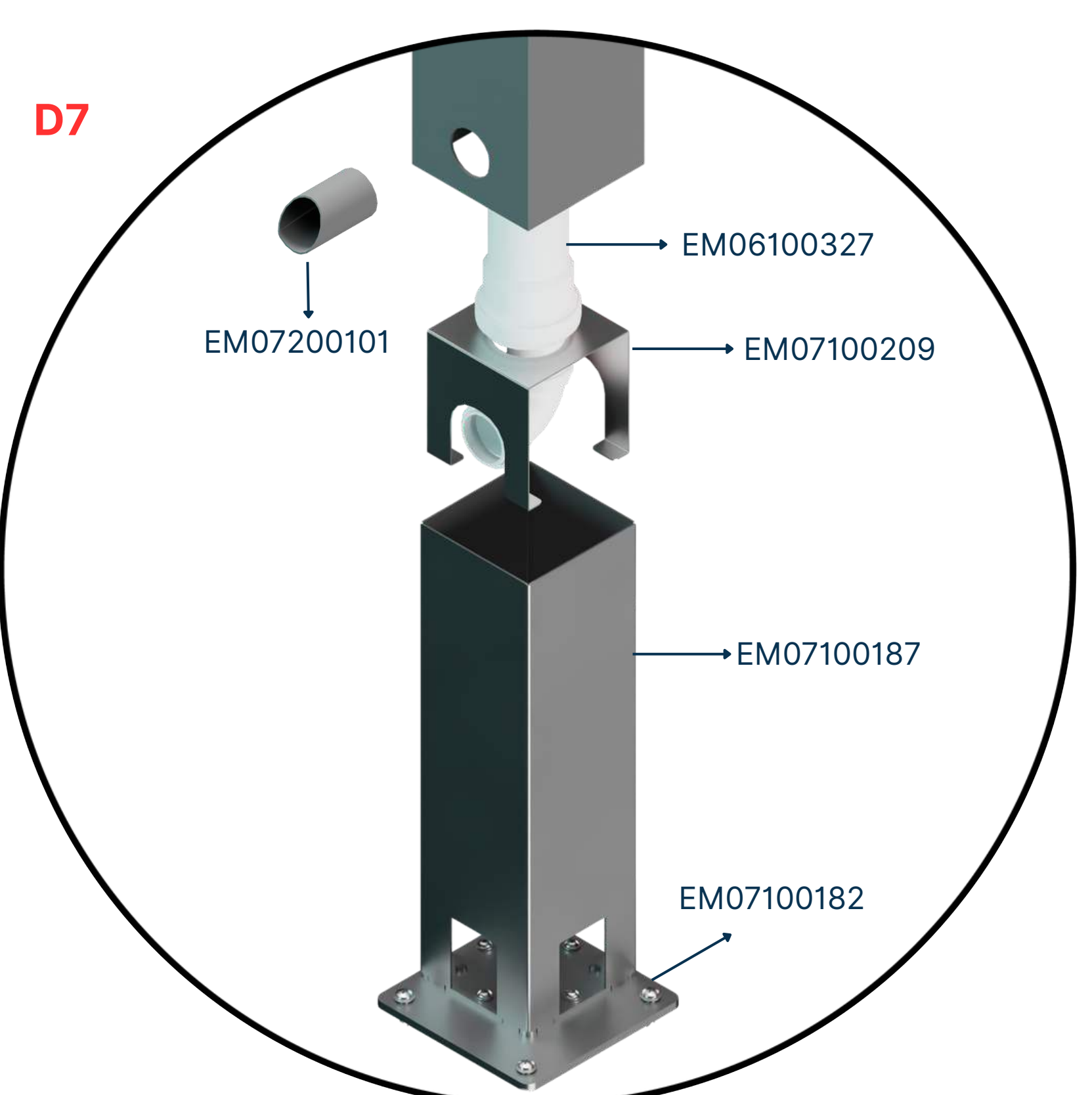
CLIMATIC FORTE LINEAR



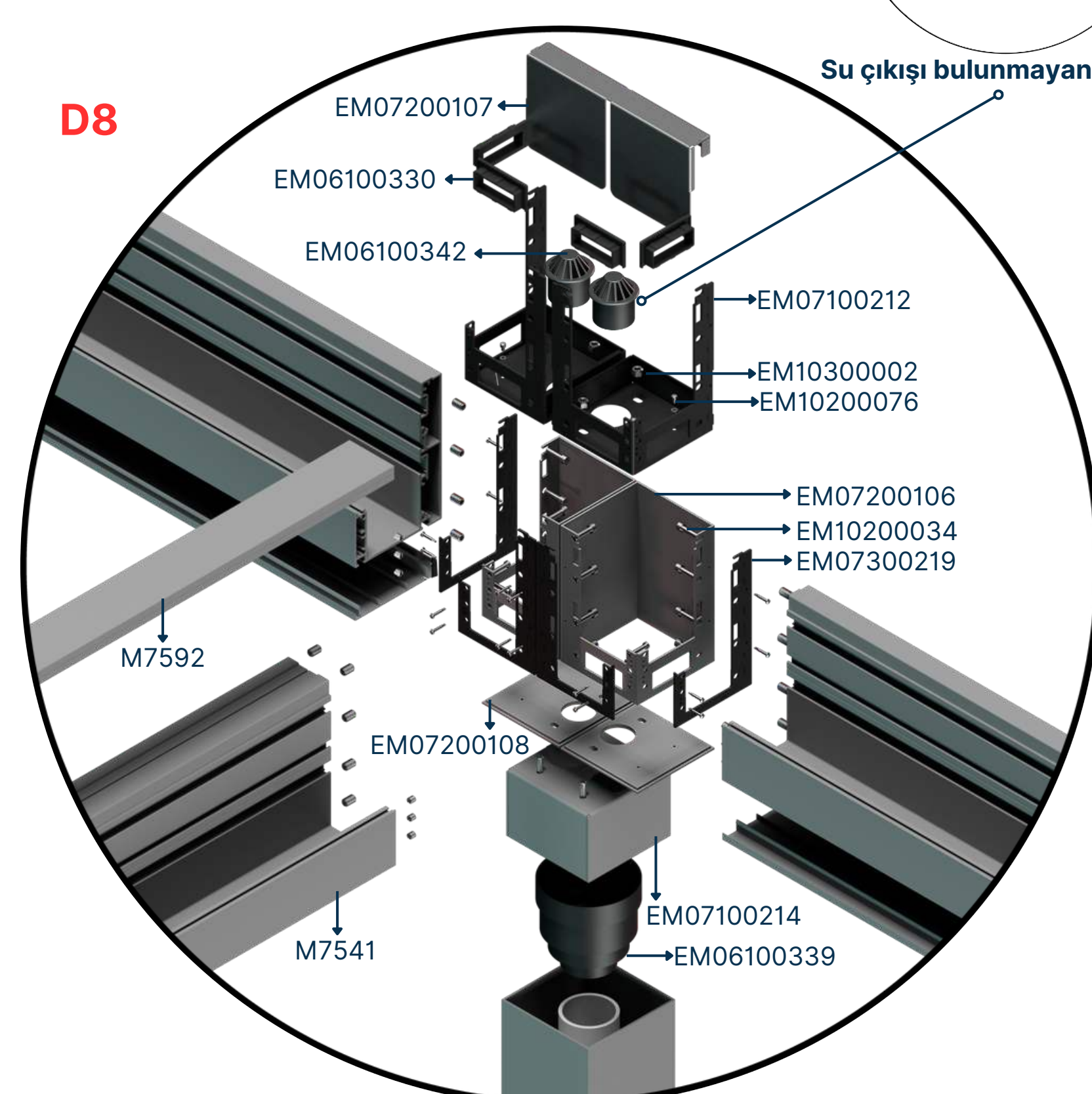
CLIMATIC FORTE DUO / LINEAR +



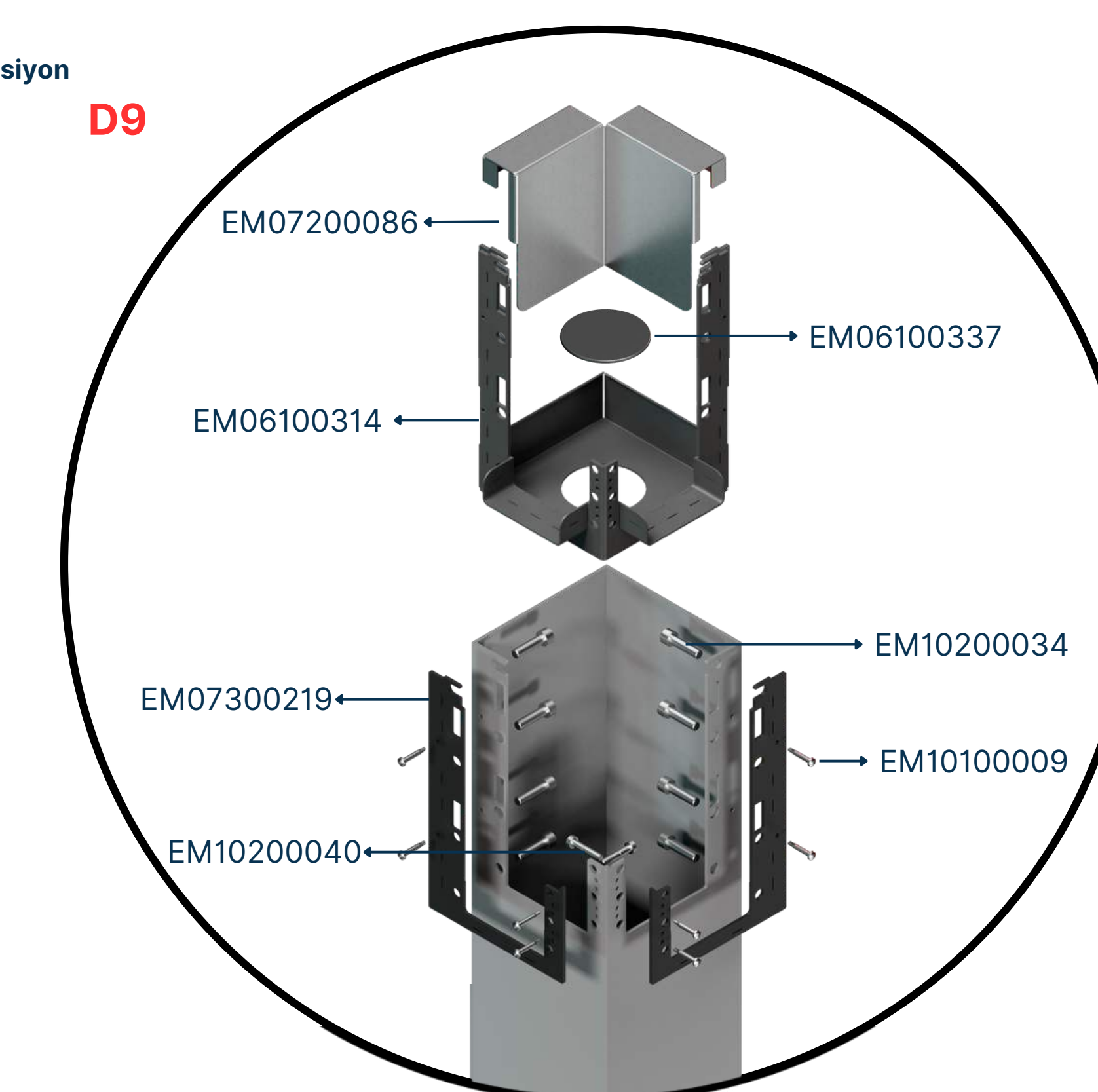
D6: This is the corner detail for posts with a water outlet.



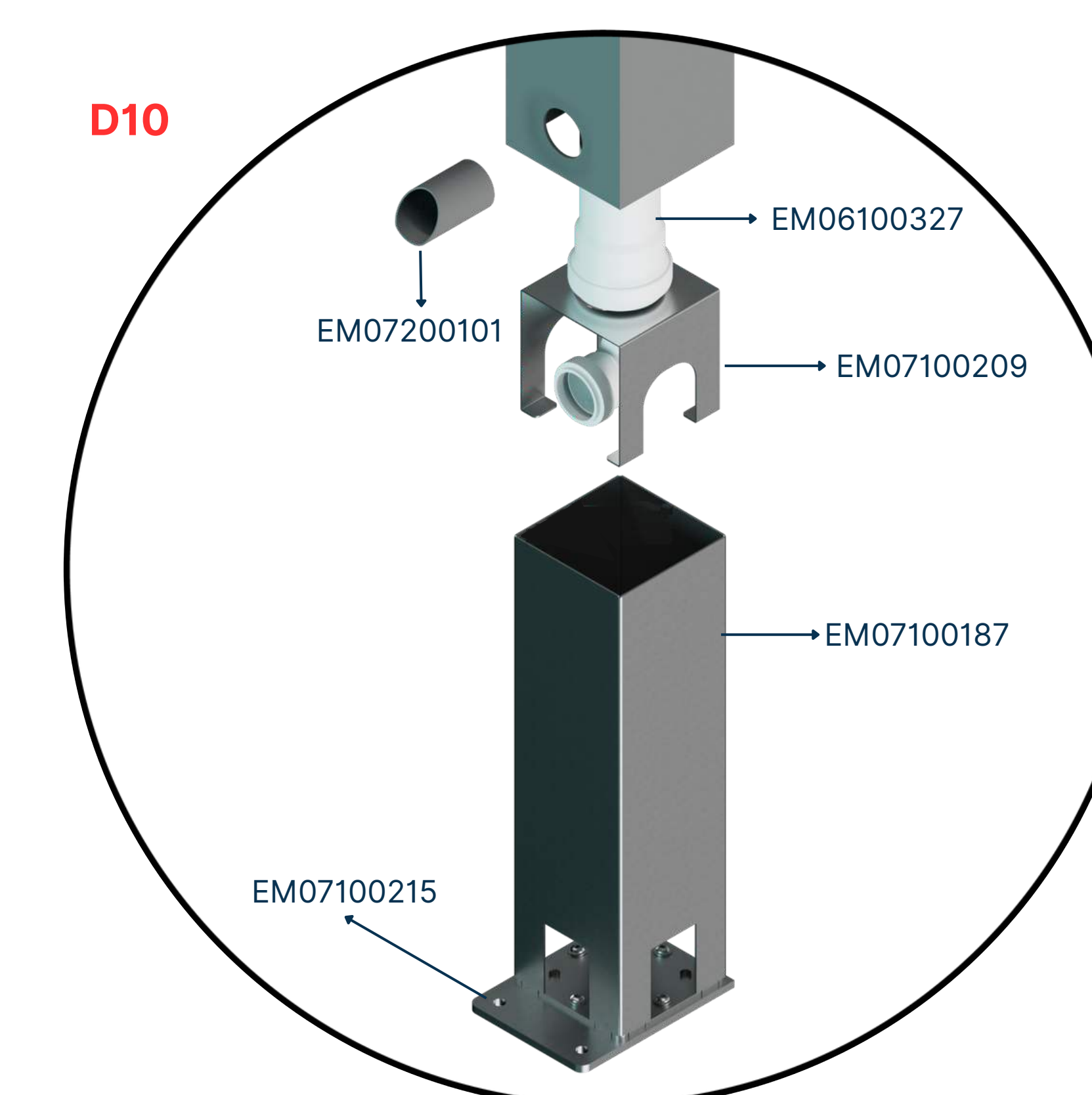
D7: This is the base detail of the posts with water outlets.



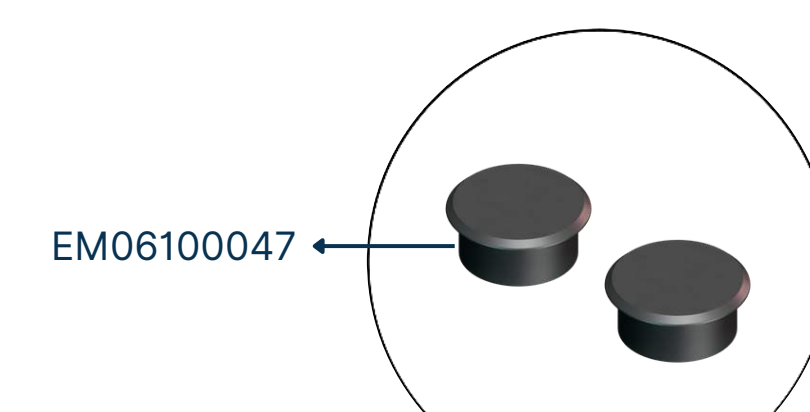
D8: This is a system connection detail featuring a water outlet.



D9: This is the corner detail for posts without a water outlet.



D10: This is the base detail of a central joint post with a water outlet.



Su çıkışı bulunmayan opsiyon