

June 2025

VENEZIA FLAT VERSION 2

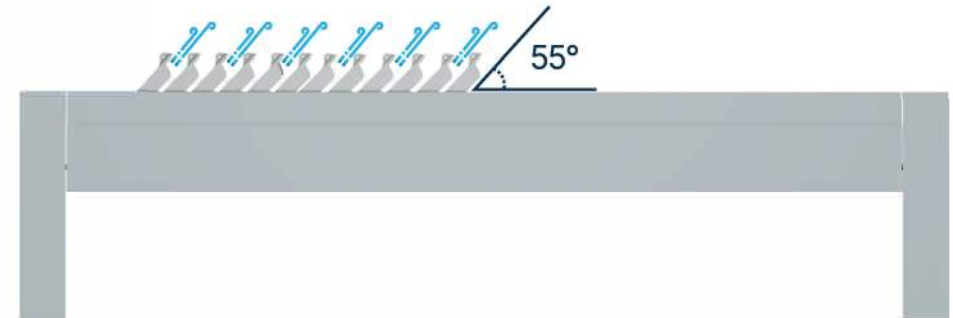
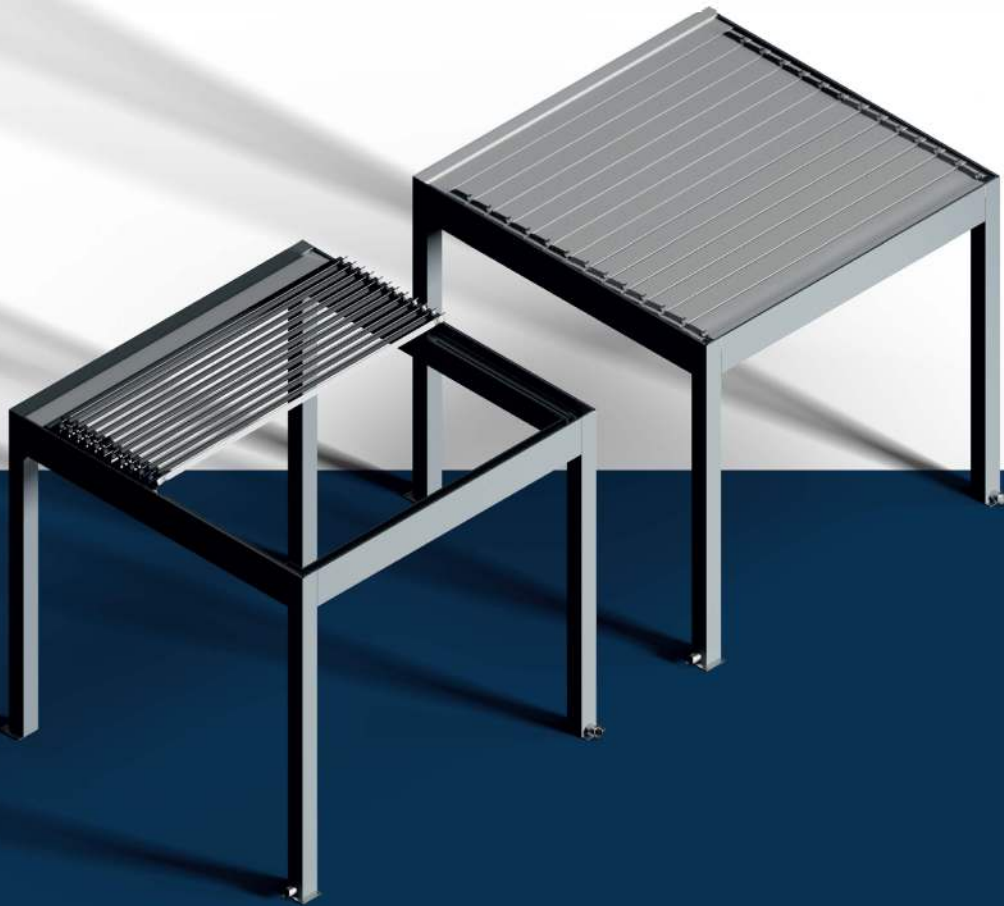


DHK
GROUP

HUUN

ENEZIA FLAT V2

- New rail details
- Fixed lamella upper extension
- Modular sheet metal cover system
- Gutter extension upper sealing gasket



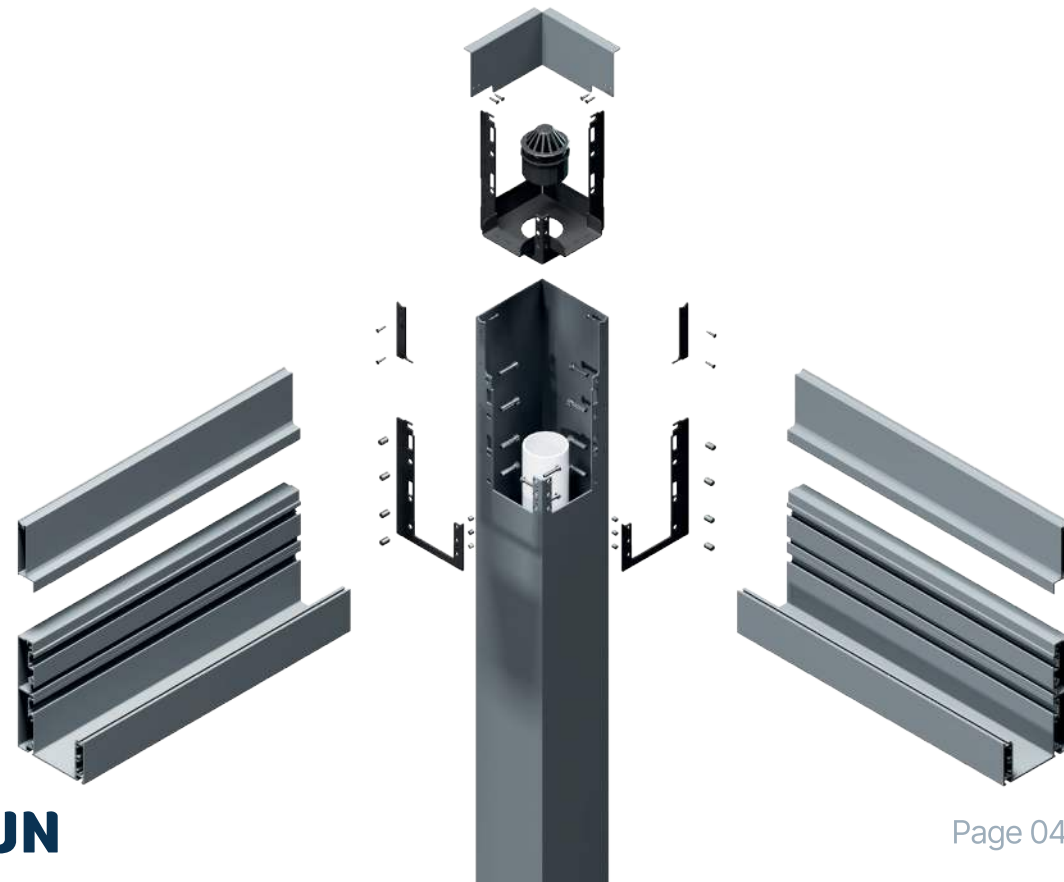
Front & Back Closing Profiles



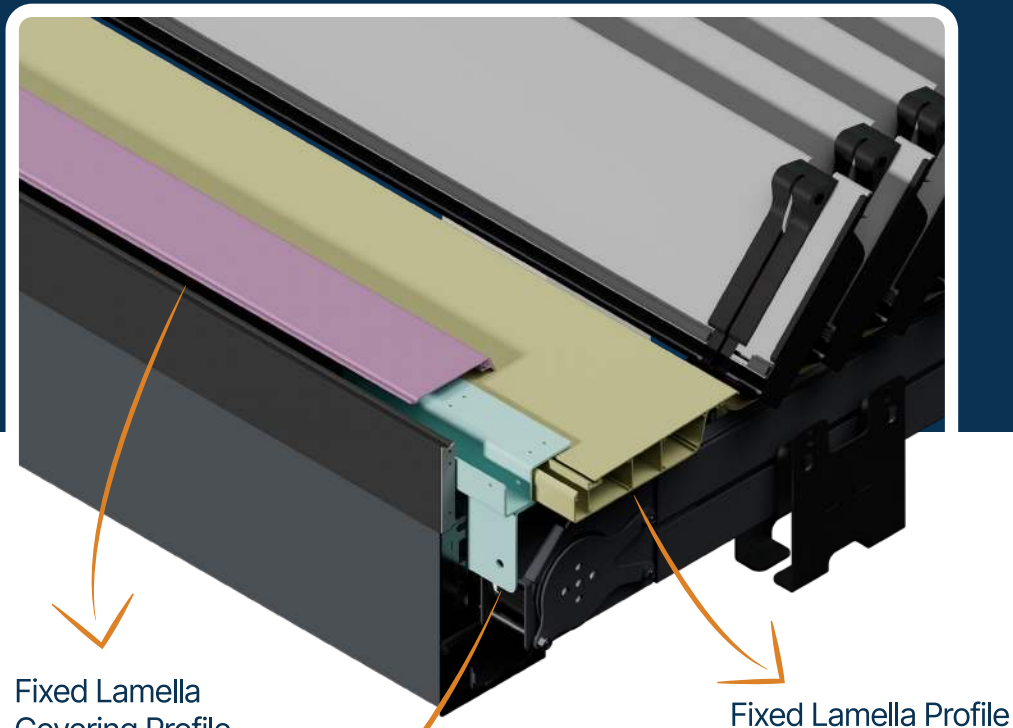
- Front and back gutter closure profiles are surrounded along the corners (90 degree connection) and sealing is ensured.

Gutter Extension Upper Sealing

- The systems are commonized using the Forte system framework.



Fixed Lamella Details



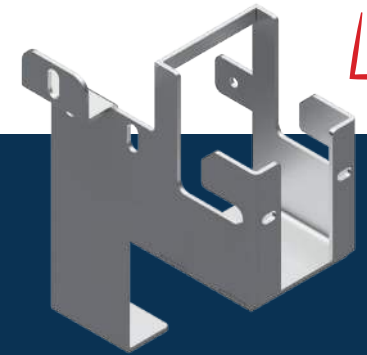
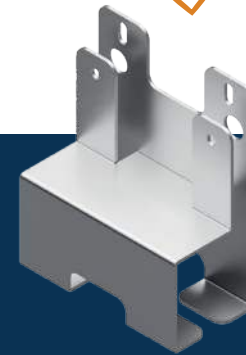
Fixed Lamella Covering Profile

Fixed Lamella Profile

Fixed Lamella Extension Piece



Rail System & Carrier Details



- The rail profile used is the O5619 coded profile used in the Unique system.

HUUN